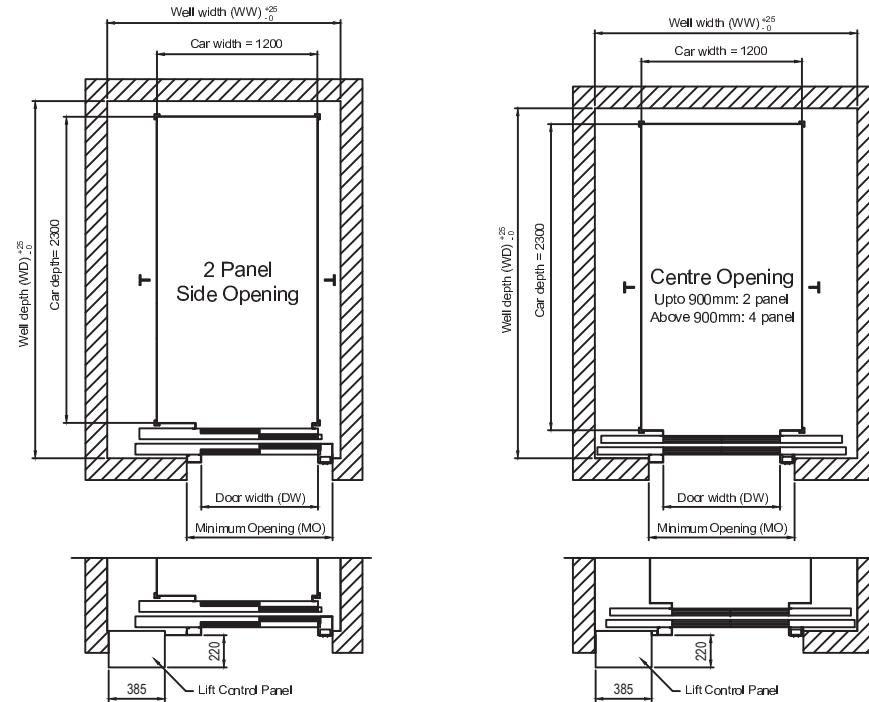
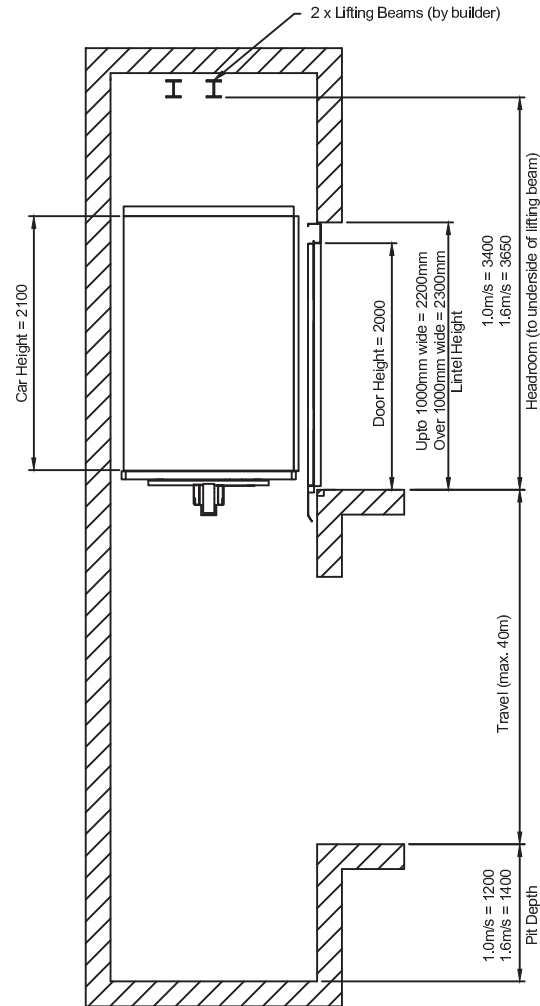


Xtralift 2.0

17 Person Stretcher (1275kg)

MRL Traction



Lift Control Panel located at top floor or one level below. It can be mounted next to the landing entrance or remotely mounted within 5m of the lift shaft.

DW	Door type	Shaft Size				MO
		Single Entrance		Through Entrance		
800	Side Opening	1850	2650	1850	2800	1100
	Centre Opening	1850	2600	1850	2700	
900	Side Opening	1850	2650	1850	2800	1200
	Centre Opening	2000	2600	2000	2700	
1000	Side Opening	1900	2650	1950	2830	1300
	Centre Opening	1900	2650	1900	2830	
1100	Side Opening*	2100	2650	2100	2830	1400
	Centre Opening*	2000	2650	2000	2830	

Waiver:

This data sheet is for guidance only and must not be used for proper working drawings. Please contact Stannah Lifts for particular details before proceeding. Owing to our policy of continual improvement we reserve the right to alter specifications and dimensions without prior notice.

*Important Note: Please contact Stannah Lifts for particular headroom details.

Stannah Lifts Ltd.
Anton Mill, Andover, Hampshire. SP10 2NX
Tel: 01264 339090
www.stannahlifts.co.uk

Information Sheet
X1-6
26/10/17