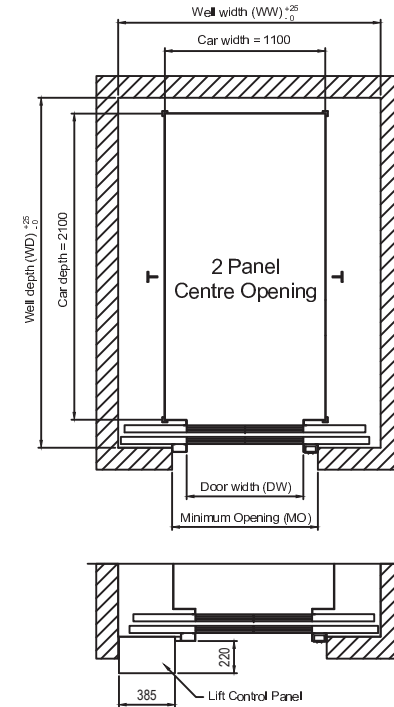
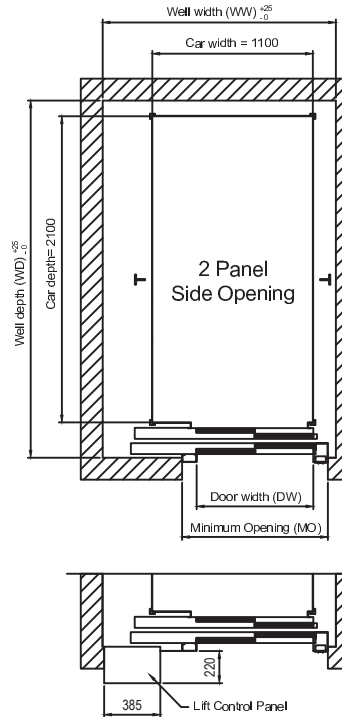
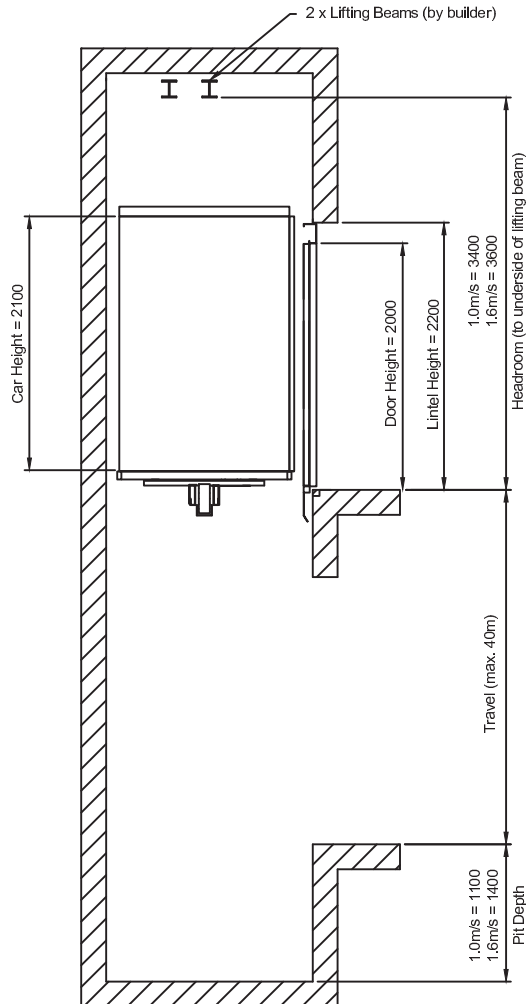


Xtralift 2.0

13 Person Stretcher (1000kg)

MRL Traction



Lift Control Panel located at top floor or one level below. It can be mounted next to the landing entrance or remotely mounted within 5m of the lift shaft

DW	Door type	Shaft Size (1 m/sec)				MO	Shaft Size (1.6 m/sec)			
		Single Entrance		Through Entrance			Single Entrance		Through Entrance	
		WW	WD	WW	WD		WW	WD	WW	WD
800	Side Opening	1700	2450	1700	2600	1100	1750	2450	1750	2600
	Centre Opening	1800	2400	1800	2500		1800	2400	1800	2500
900	Side Opening	1700	2450	1700	2600	1200	1750	2450	1750	2600
	Centre Opening*	2000	2400	2000	2500		2000	2400	2000	2500

Waiver:

This data sheet is for guidance only and must not be used for proper working drawings. Please contact Stannah Lifts for particular details before proceeding. Owing to our policy of continual improvement we reserve the right to alter specifications and dimensions without prior notice.

*Important Note: Please contact Stannah Lifts for particular headroom details.

Stannah Lifts Ltd.
Anton Mill, Andover, Hampshire. SP10 2NX
Tel: 01264 339090
www.stannahlifts.co.uk

Information Sheet
X1-4
26/10/17