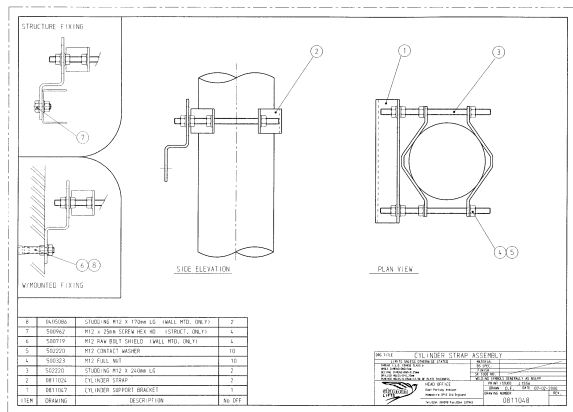
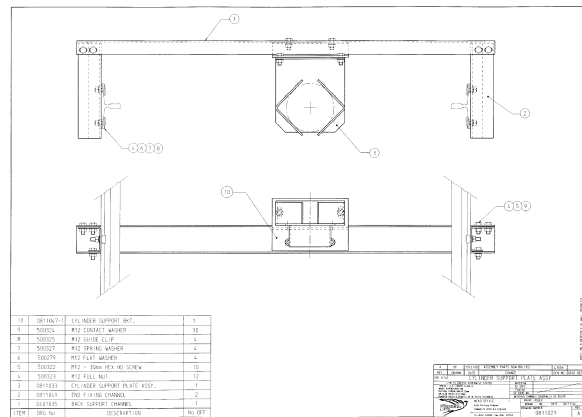


Rationalisation of Ram Support Brackets (System21).

Changes have been made to the ram support brackets and the wrap around brackets. Assembly number 0811048, cylinder strap assembly, is now common for all wall mounted and structure supported lifts. The design has been modified to provide greater adjustment. Assembly number 0811029, cylinder support plate assembly, is now a bolted construction and gives greater adjustment on site.



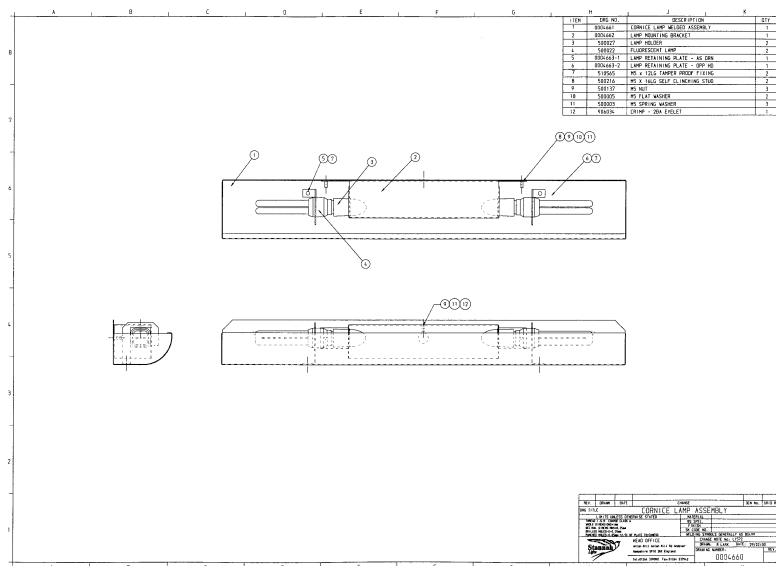
0811048 Cylinder Strap Assembly.



0811029 Cylinder Support Plate Assembly.

New light design requires a TX25 tool bit to secure bulbs.

The cornice light assembly on the Piccolo and Maxi M lifts, up to 10 person, has been modified to meet the minimum light levels of 50 lux at floor level as specified in BS EN 81-2. Please be advised that this new design now uses tamperproof fixings to retain the light bulbs. This means that a TX25 security torx tool bit will be required to replace a bulb. (RS ref. No. 736-210).



0004660 Cornice Lamp Assembly