

TB 172

## TECHNICAL BULLETIN

### SAFETY ISSUE

**For the Attention of :** Service Engineers, Installers, Trade Customers, Training Dept, H & S Manager

**Date :** 24<sup>th</sup> September 2018

**Product :** Midilift Piccolo (2:1 roped models)

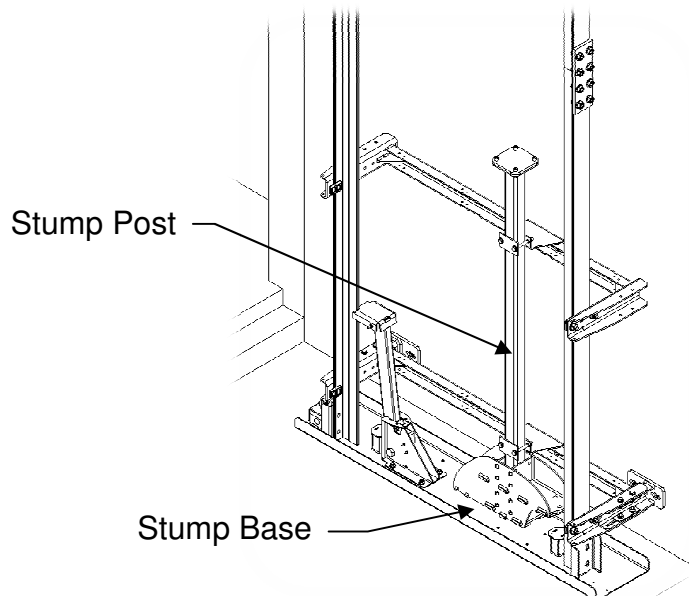
**Subject :** Stump post packers

**Pages :** 3

**Originator :** Stannah Lifts Ltd, Anton Mill, Andover, Hants SP10 2NX 01264 339090

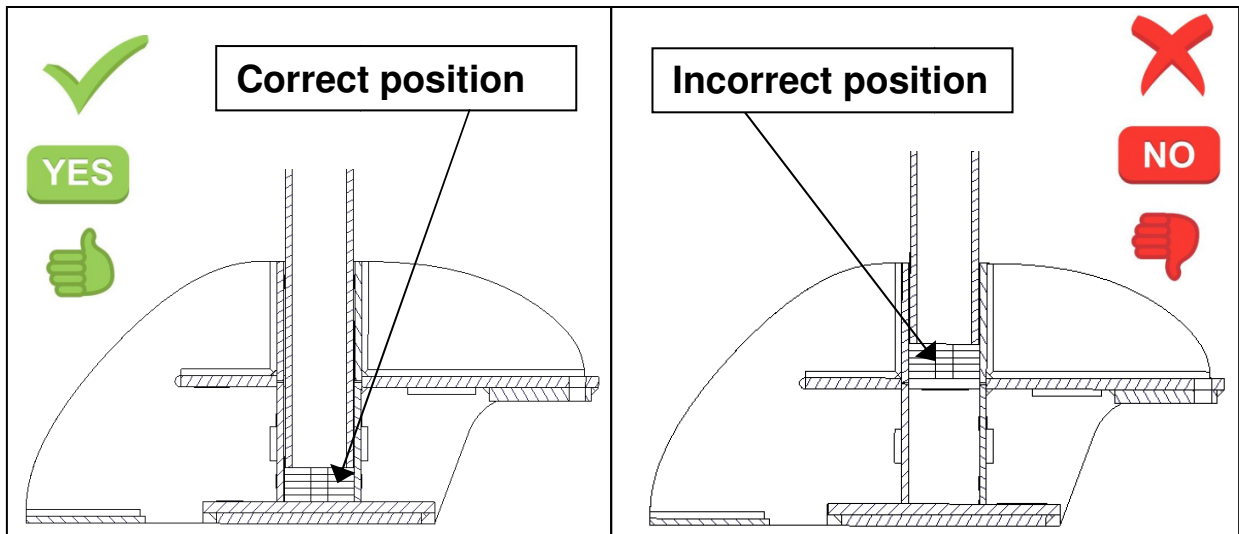
### Detail

The Midilift Piccolo 2:1 roped hydraulic platform lift features a stump assembly underneath the hydraulic ram. The stump post locates in a square aperture in the middle of the stump base.



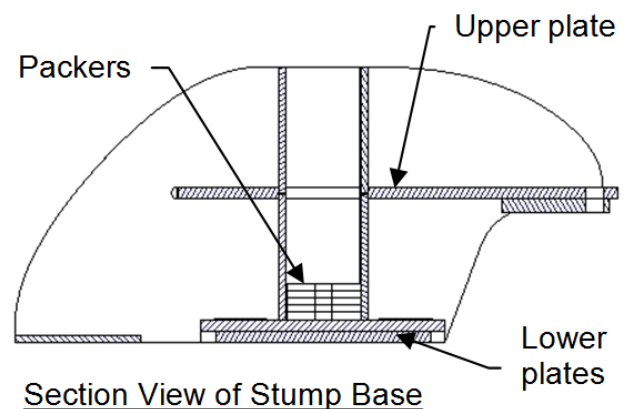
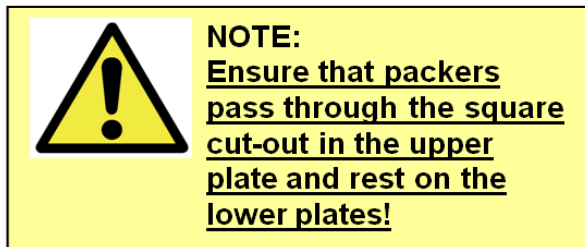
During installation, it is sometimes necessary to install packers below the stump post. These packers should be located on the **lower** plate of the stump base, with the stump post sitting on top of the packers.

A recent installation has highlighted that it is possible for the packers to be installed incorrectly, whereby the packers are resting on the upper plate rather than the lower plate. This results in the stump post being inadequately supported at an elevated position.



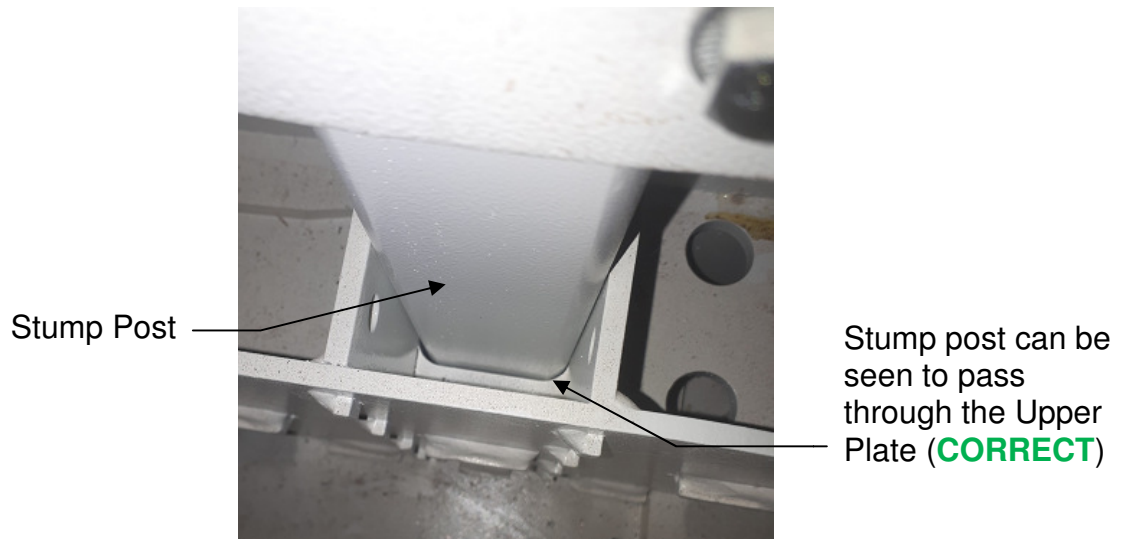
Action required on site:

**Installation Engineers** – packers must be installed correctly, as per the extract from the installation guide shown below. This includes any lifts that are part installed but yet to be commissioned and handed over.



**Service engineers** – a visual inspection is to be carried out on all Midilift Piccolo 2:1 roped lifts.

**It must be confirmed that the stump post passes through the upper plate of the stump base** (as per image overleaf).



If packers can be seen instead of the top plate then the lift must be removed from service until corrective work can be undertaken.

## **Summary**

This bulletin is to emphasise the importance of correctly installing the stump packers on Midilift Piccolo 2:1 roped platform lifts.

Lifts that are part installed (i.e. not handed over) must be checked and corrected if necessary.

Lifts already in service are to be inspected and any lift found to have packers on top of the upper plate are to be taken out of service until corrective action has been implemented.