

Stannah Lifts Technical Bulletin



Issue No: M13

Date: 20/08/01

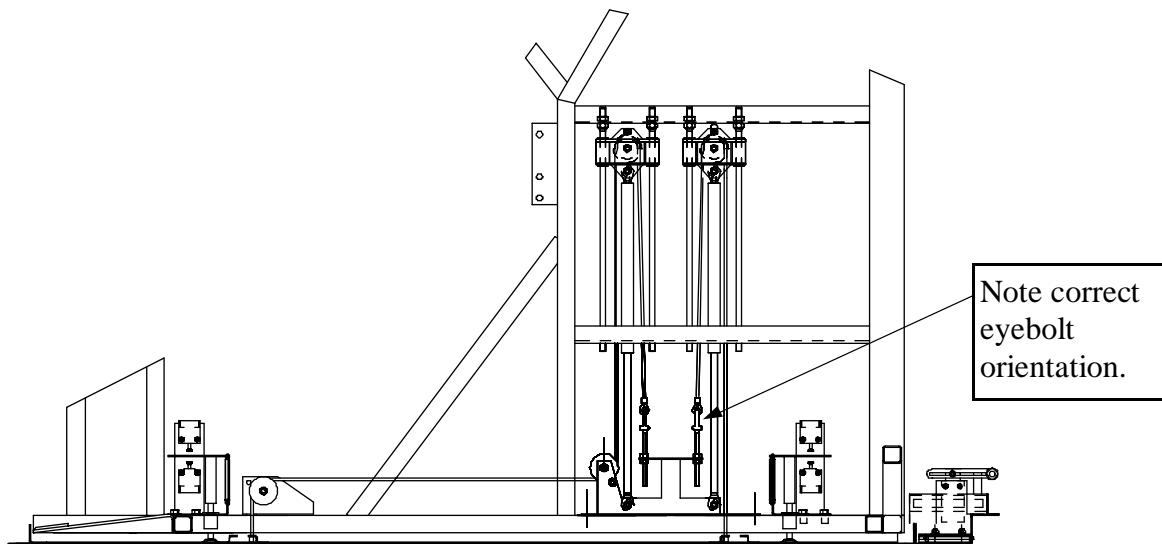
Page 1 of 1

LIFT TYPE:- Homelift - Eye bolt orientation in cabin frame assembly.

To: Stannah Services
Stannah Lift Installers.
Trade Customers.

It has come to our attention that in some instances the gas struts supporting the Homelift underpan have failed causing the lift to break down.

It is important that during installation, the eyebolts are fixed in the correct orientation to prevent interference with the gas struts when the lift is approaching the upper floor level.



We recommend that the orientation of eye bolts is checked on subsequent service visits.

Please to be advised that a label will be attached to all future Homelifts to illustrate the correct positioning of the eyebolts as shown below.

