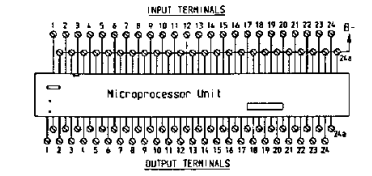
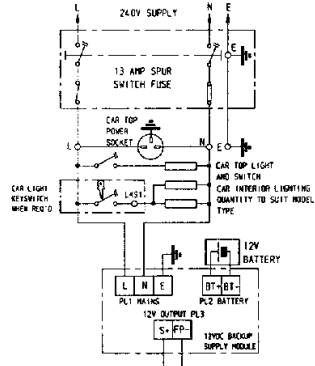


**TYPICAL DRAWING
NOT TO BE USED AS
WORKING DRAWING**



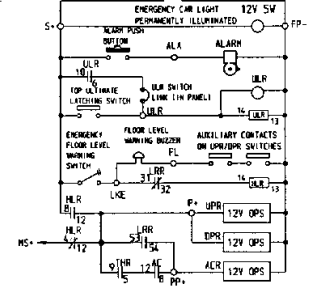
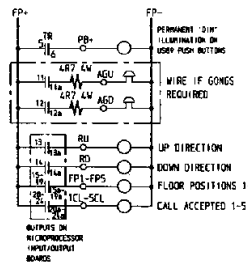
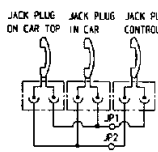
INPUTS	OUTPUTS
1 UC	1 URR
2 UC	2 UDR
3 UCR	3 UBR
4 UPR	4 UC
5 UPR	5 UPR
6 CDC	6 CDC
7 CDC	7 CDC
8 CDC	8 CDC
9 CDC	9 CDC
10 LRR	10 RR
11 GRC	11 AGU
12 DCP	12 ASD
13 DCP	13 RR
14 TRC	14 RR
15 GCR	15 FPS
16 FNC	16 FPS
17 DCP	17 FPS
18 RR	18 FPS
19 RSD	19 FPS
20 LC	20 TCC
21 DC	21 DC
22 SC	22 SC
23 LC	23 SC
24 SC	24 SC

NOTE ALL 'a' NUMBERED INPUT TERMINALS WIRED TO 'B' -
ALSO NOTE THAT OUTPUT TERMINALS ARE PAIRED e.g. THE TERMINALS FOR 'RR' ARE 1 & 2, 3 & 4, etc.



EMERGENCY LIGHT UNIT

FUSE INDICATION	SIGNAL	SIZE
F51	WIRING	5A ANTISURGE
F52	CONTROL CIRCUIT	5A ANTISURGE
F53	BATTERY	5A ANTISURGE
F54	LAMP	5A ANTISURGE



DRAWN: C. PULLEN DATE: 29/01/99
DELTA HYDRAULIC LIFT WITH FULL PDD AND MK1 THERMISTOR SHUTDOWN

HEAD OFFICE:
Stannah Lifts
Anton Mill Andover Hampshire
SP10 2XW England
Tel: 01264 339090 Fax: 337942

DRAWING NO: 9395/115