



THE STANNAH STAIRISER SX

ELECTRICAL WIRING MANUAL

FOR CHUO CONTRACTS

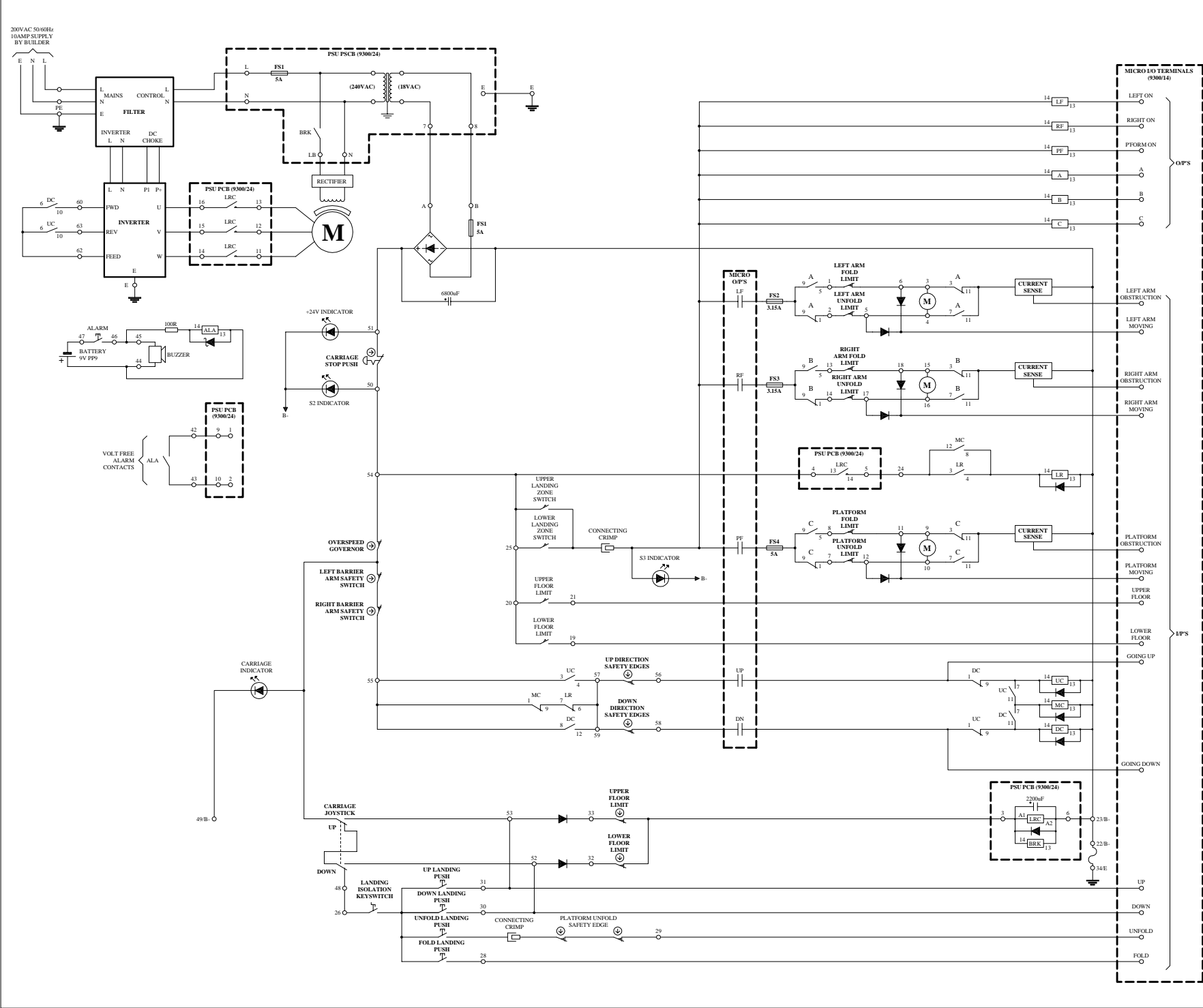
ISSUE:

8




INDEX

UPDATED DRAWINGS (*)	DRAWING NUMBER	REV	DRAWING DESCRIPTION
	9230/201	C	CHUO Stairiser SX main key wiring diagram
	9230/002	B	Stairiser SX transformer, inverter and filter connection details
	9230/003	E	Stairiser SX carriage cover and skate connection details
	9230/004	B	Stairiser SX barrier arm and platform limits/actuator connection details
*	9230/202	C	CHUO Stairiser SX platform safety edge connection details
	9230/203	C	CHUO Stairiser SX landing station and mains supply connection details
	9230/007	D	Stairiser SX carriage cover with attendant control connection details
	9230/008	A	Stairiser SX landing zone detection switch connection details
	9230/030		Stairiser SX limit switch connection details
	9230/103	E	External Stairiser SX carriage cover and skate connection details
*	9230/204	C	CHUO External Stairiser SX platform safety edge connection details
*	9230/205	D	CHUO External Stairiser SX landing station and mains supply connection details



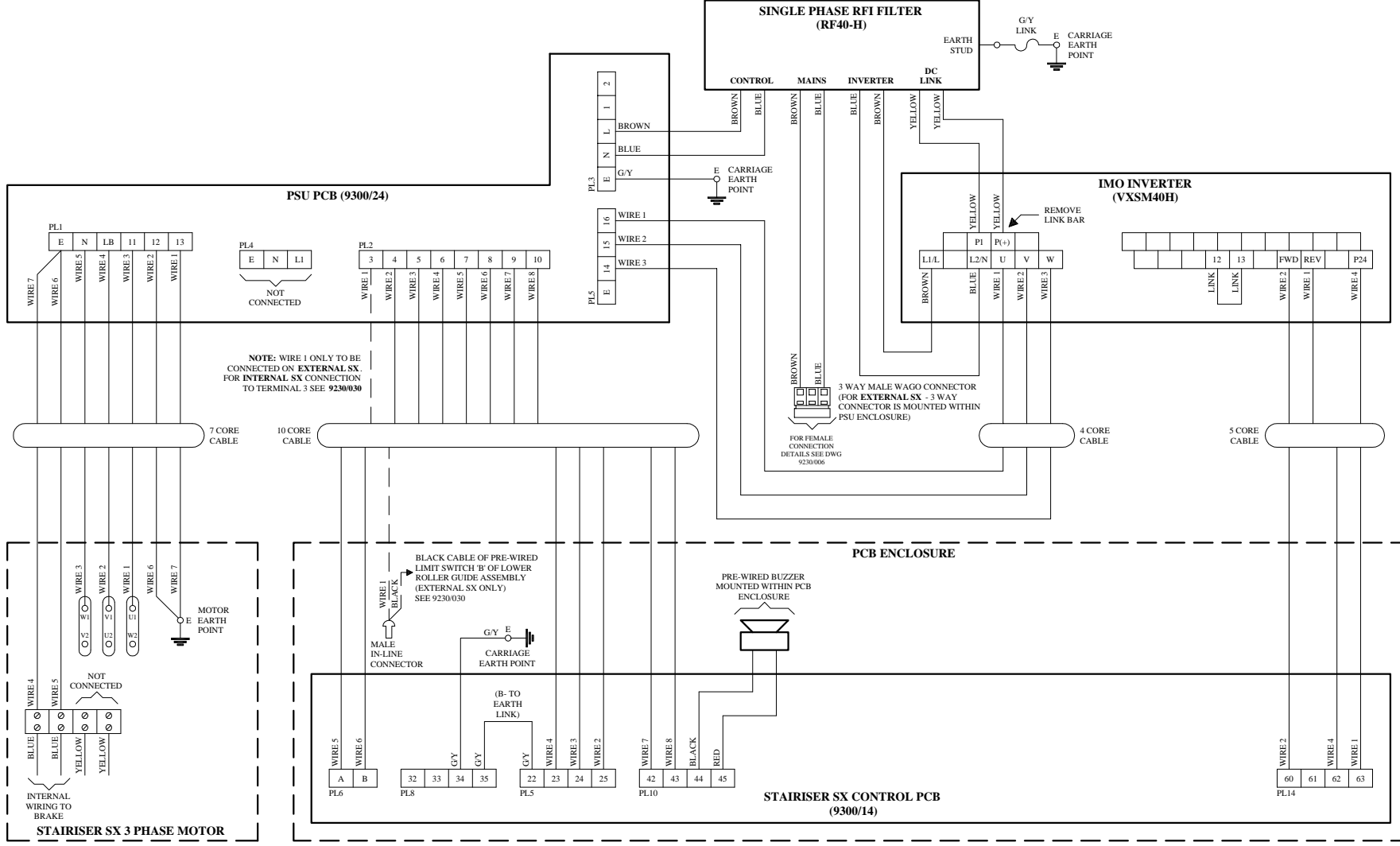
NAME: **M. HOOD** DATE: **21/03/03**
 CHECKED: **R. BAUGH** DATE: **21/03/03**

CHUO STAIRISER SX
MAIN KEY WIRING DIAGRAM


 HEAD OFFICE:
 Anton Mill
 Andover Hampshire
 SP102NX England
 Tel: 01264 339090 Fax: 337942

DRAWING NO: **9230/201** REV: **C**

REV C: PLATFORM LIMIT GENDER ALTERED 23/11/05 MH
 REV B: SECOND LANDING ZONE SWITCH SHOWN 05/05/05 MH
 REV A: INVERTER DIRECTION SETTINGS SHOWN 29/06/04 MH



NAME: **M. HOOD** DATE: **12/03/03**
 CHECKED: **R. BAUGH** DATE: **12/03/03**

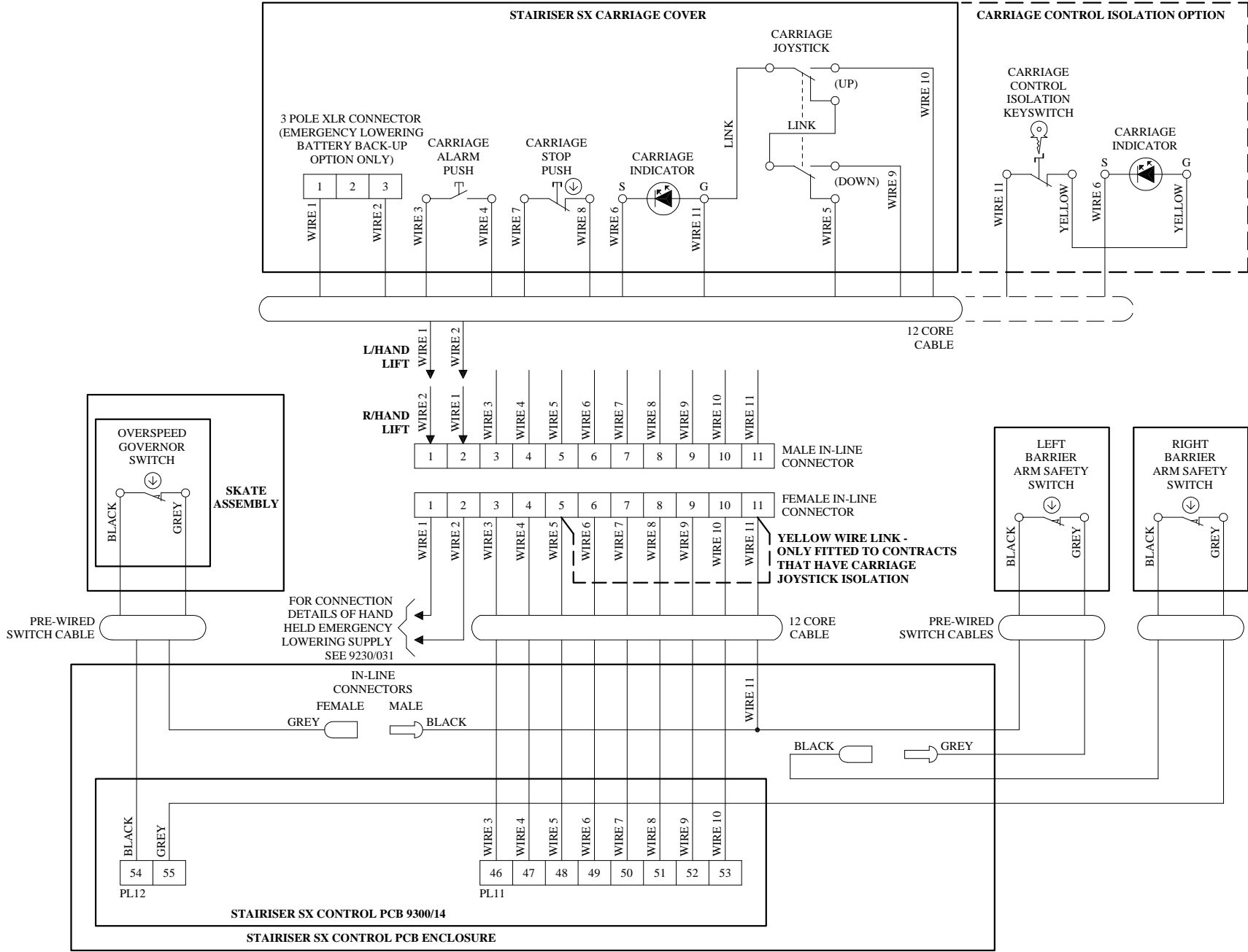
**STAIRISER SX
 TRANSFORMER, INVERTER AND
 FILTER CONNECTION DETAILS**



HEAD OFFICE:
 Anton Mill
 Andover Hampshire
 SP102NX England
 Tel: 01264 339090 Fax: 337942

DRAWING NO: **9230/002** REV: **B**

REV B: CONNECTION DETAILS ALTERED 30/03/05 MH
 REV A: CONNECTION DETAILS OF NEW 'LENZE' MOTOR SHOWN 29/06/04 MH



NAME: **M. HOOD** DATE: **14/03/02**
 CHECKED: **R. BAUGH** DATE: **14/03/03**

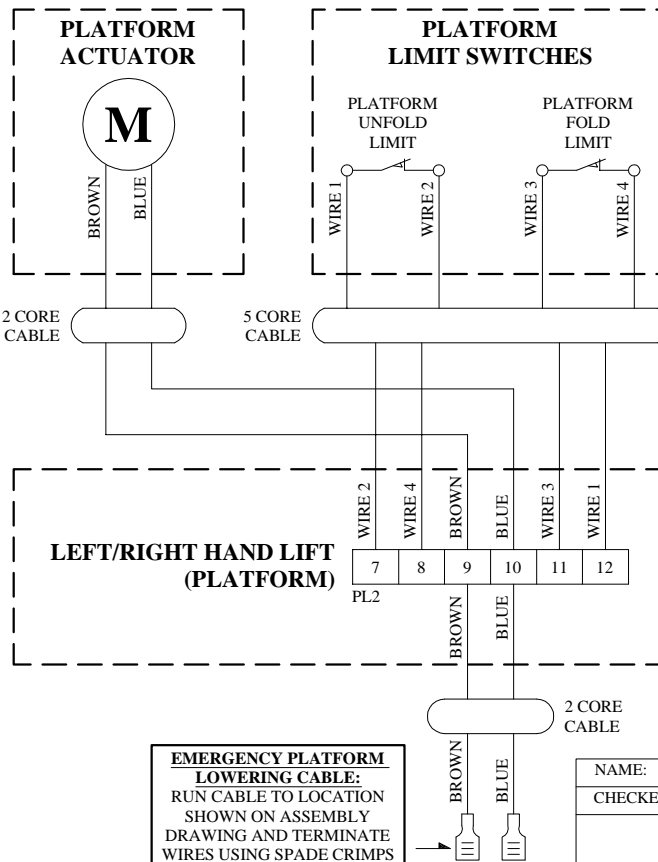
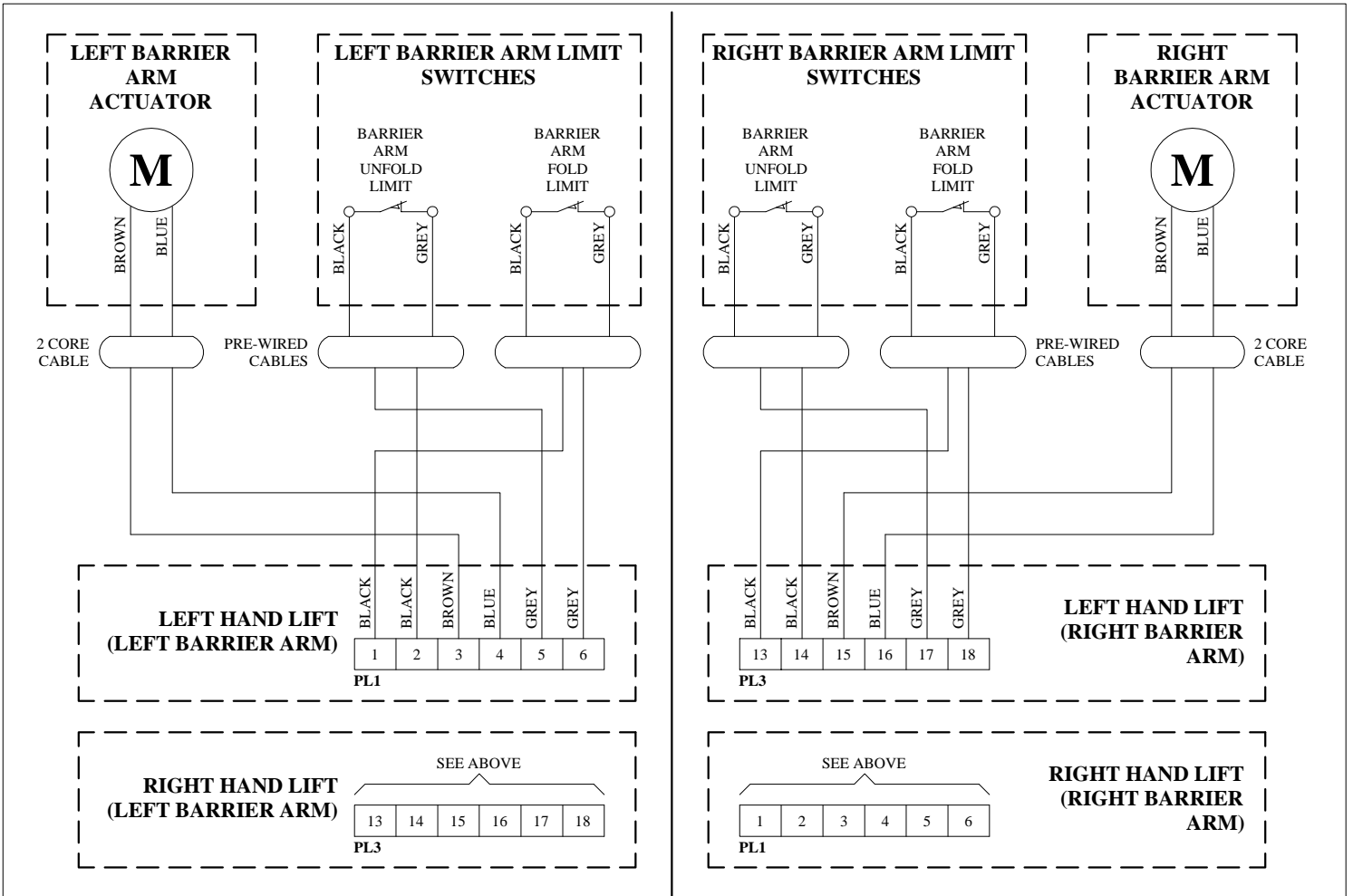
STAIRISER SX CARRIAGE COVER AND OSG CONNECTION DETAILS

HEAD OFFICE:
 Anton Mill
 Andover Hampshire
 SP102NX England
 Tel: 01264 339090 Fax: 337942

Stannah

DRAWING NO: **9230/003** REV: **D**

REV E: WIRE LINK ADDED FOR JOYSTICK ISOLATION 27/04/06 MH
 REV D: CONNECTION DETAILS OF CARRIAGE CONTROL ISOLATION SHOWN 31/01/06 MH
 REV C: BARRIER ARM SAFETY SWITCHES CHANGED TO PRE-WIRED SWITCHES 22/11/05 MH
 REV B: LIMIT SWITCH CONNECTION DETAILS AND DRAWING TITLE ALTERED 29/03/05 MH
 REV A: MALE AND FEMALE IN-LINE CONNECTORS ALTERED 29/04/03 MH



EMERGENCY PLATFORM LOWERING CABLE:
 RUN CABLE TO LOCATION SHOWN ON ASSEMBLY DRAWING AND TERMINATE WIRES USING SPADE CRIMPS

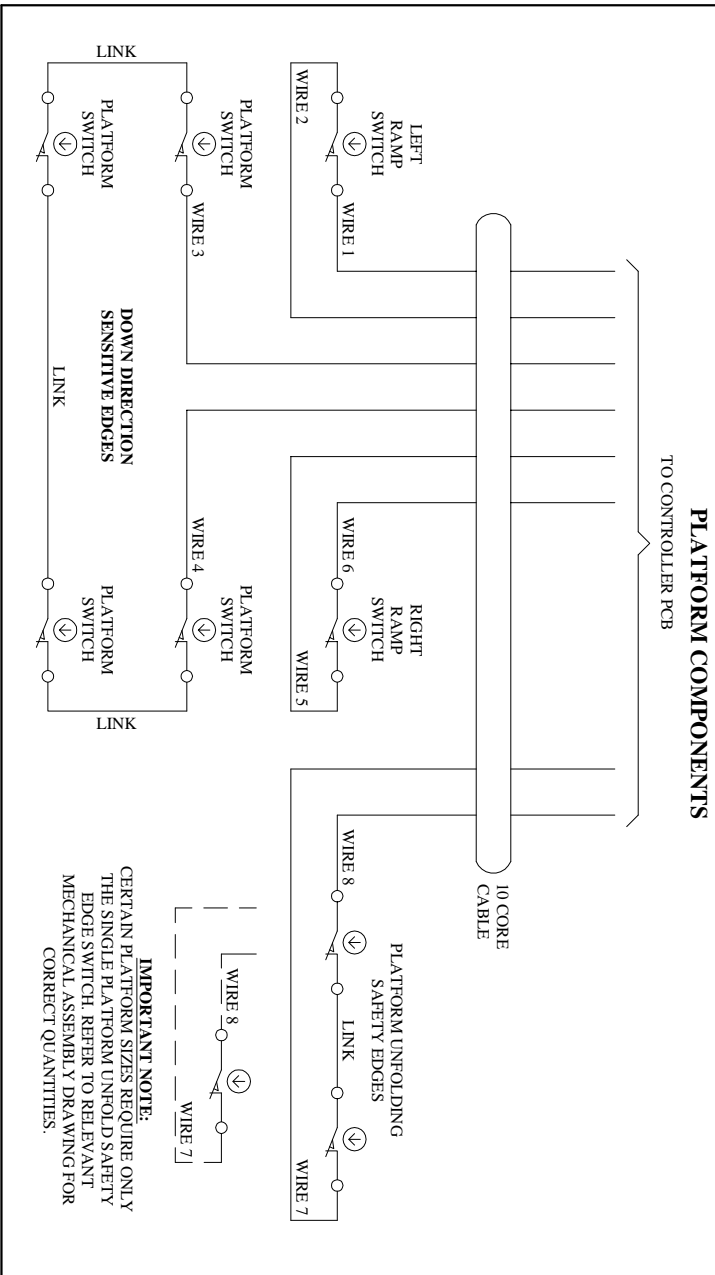
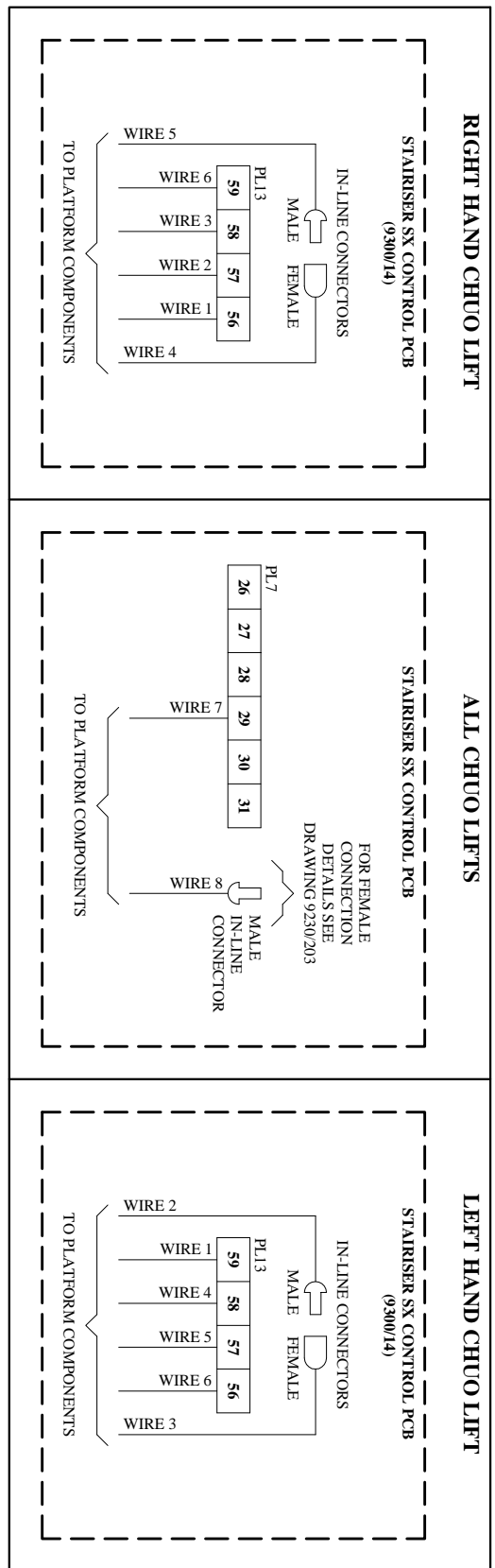
NAME: **M. HOOD** DATE: **17/03/03**
 CHECKED: **R. BAUGH** DATE: **17/03/03**

STAIRISER SX BARRIER ARM AND PLATFORM LIMITS/ACTUATOR CONNECTION DETAILS



HEAD OFFICE:
 Anton Mill
 Andover Hampshire
 SP102NX England
 Tel: 01264 339090 Fax: 337942

DRAWING NO: **9230/004** REV: **B**



NAME: **M. HOOD** DATE: **03/06/03**
CHECKED: **R. BAUGH** DATE: **03/06/03**

**CHUO STAIRISER SX
PLATFORM SAFETY EDGE
CONNECTION DETAILS**

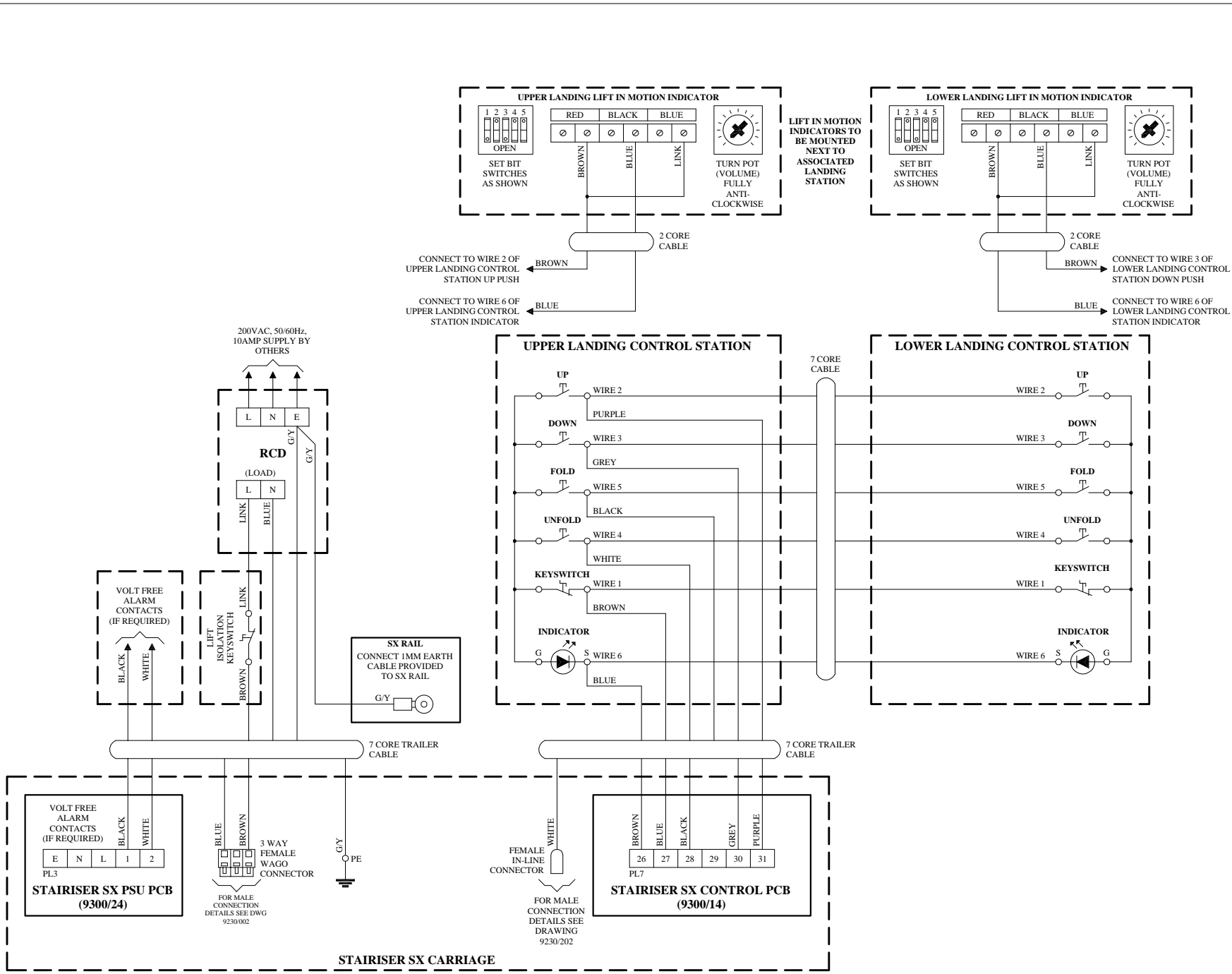


HEAD OFFICE:
Anton Mill
Andover Hampshire
SP102NX England

Tel: 01264 339090 Fax: 337942

DRAWING NO: **9230/202**

REV: **C**



NAME: **M. HOOD** DATE: **17/03/03**
 CHECKED: **R. BAUGH** DATE: **17/03/03**

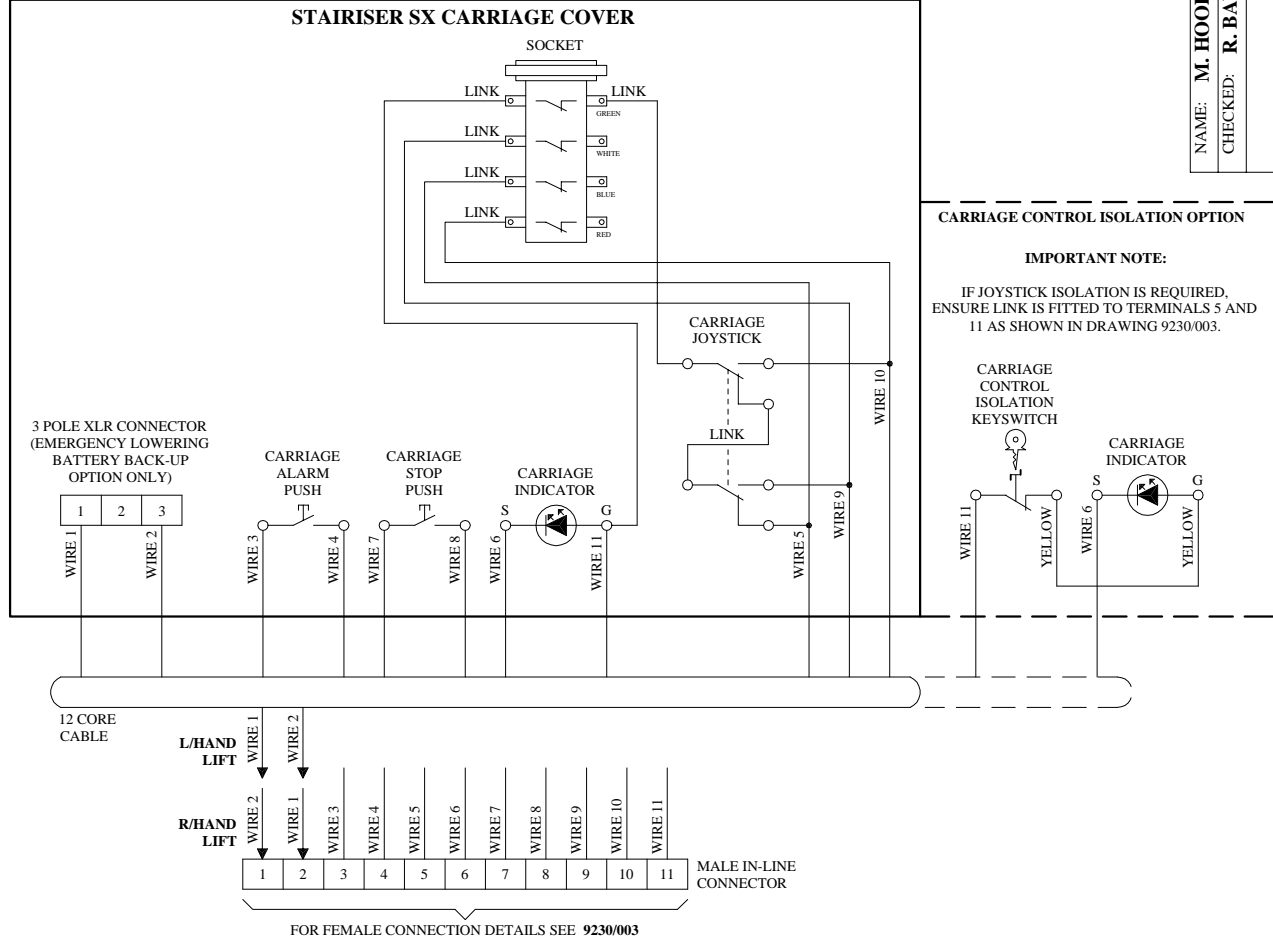
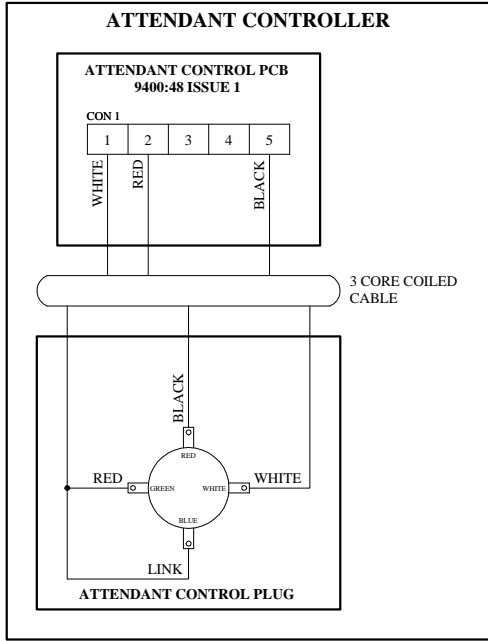
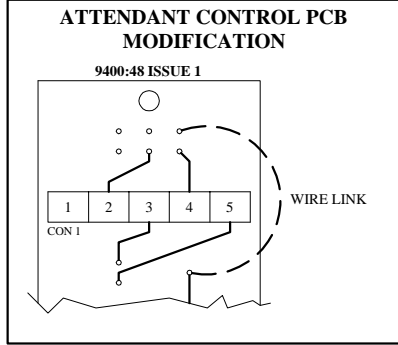
CHUO STAIRISER SX LANDING STATION CONNECTION DETAILS

HEAD OFFICE:
 Anton Mill
 Andover Hampshire
 SP102NX England
 Tel: 01264 339090 Fax: 337942

Stannah

DRAWING NO: **9230/203** REV: **C**

REV C: CABLE ORANGE CHANGED TO PURPLE 02/03/06 DG
 REV B: TRAILER CABLE CHANGED FROM NUMBERED TO COLOURED 06/01/06 MH
 REV A: TRAILING CABLE DETAILS ALTERED 29/06/04 MH



CARRIAGE CONTROL ISOLATION OPTION

IMPORTANT NOTE:
IF JOYSTICK ISOLATION IS REQUIRED, ENSURE LINK IS FITTED TO TERMINALS 5 AND 11 AS SHOWN IN DRAWING 9230/003.

NAME: **M. HOOD** DATE: **19/03/03**
CHECKED: **R. BAUGH** DATE: **19/03/03**

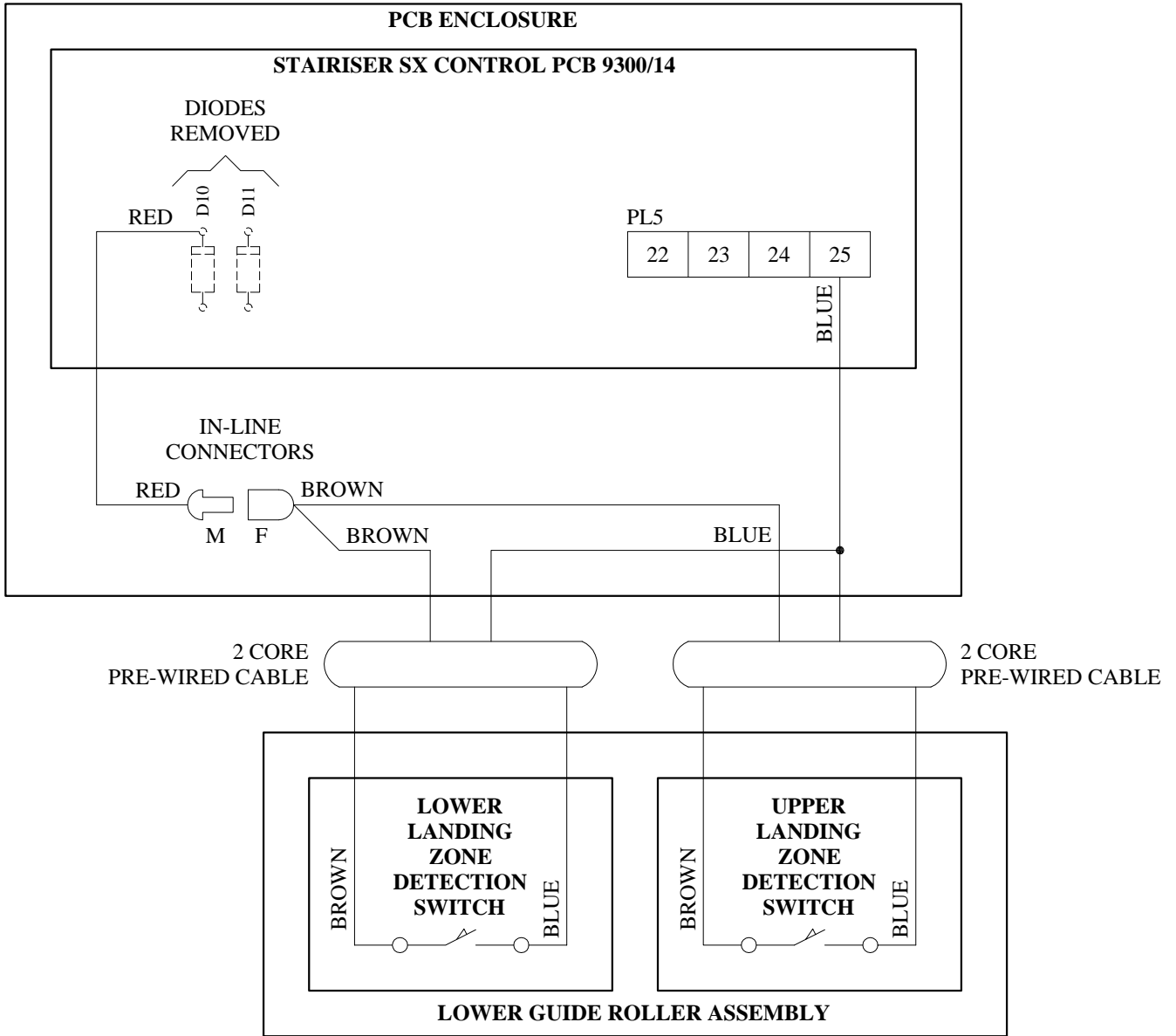
STAIRISER SX
CARRIAGE COVER WITH ATTENDANT CONTROLLER CONNECTION DETAILS

HEAD OFFICE:
Anton Mill
Andover Hampshire
SP102NX England
Tel: 01264 339090 Fax: 337942

Stannah

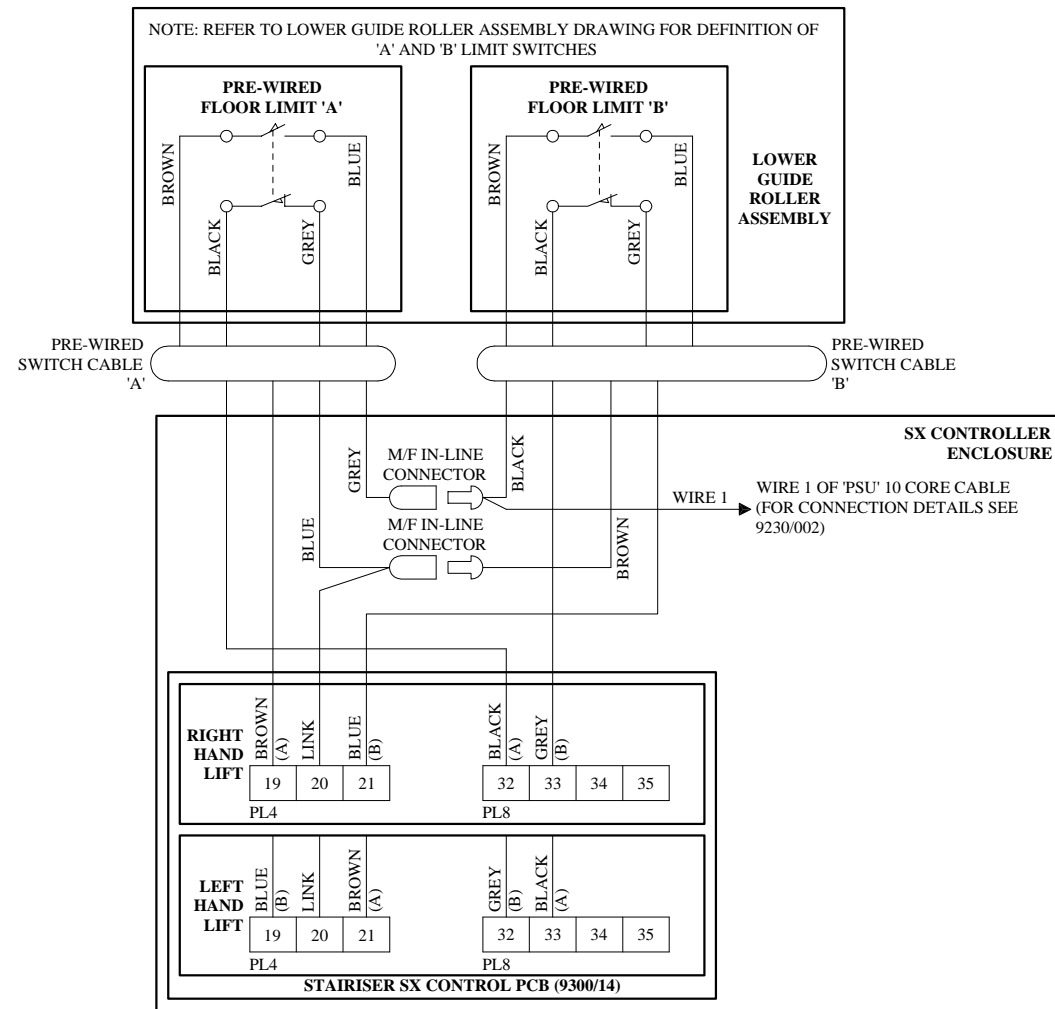
DRAWING NO: **9230/007** REV: **D**

REV D: CONNECTION DETAILS OF CARRIAGE CONTROL ISOLATION SHOWN 31/01/06 MH
REV C: CONNECTOR GENDER ALTERED 21/11/05 MH
REV B: JACK PLUG SOCKET CONNECTION DETAILS ALTERED 01/08/05 MH
REV A: CONNECTION DETAILS ALTERED 30/03/05 MH

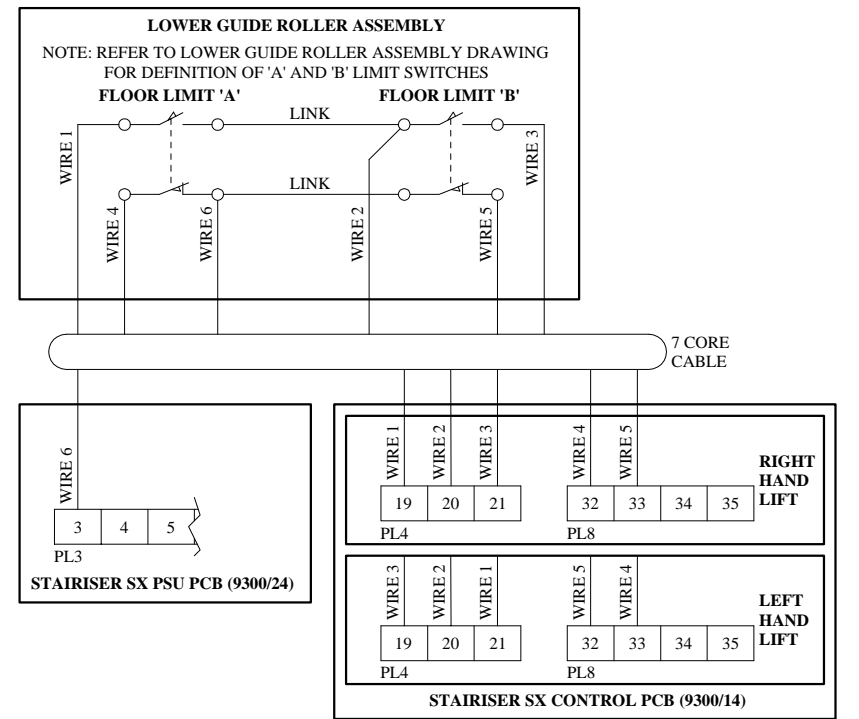


NAME: M. HOOD	DATE: 19/03/03
CHECKED: R. BAUGH	DATE: 19/03/03
STAIRISER SX LANDING ZONE DETECTION SWITCH CONNECTION DETAILS	
<div style="display: inline-block; vertical-align: middle; text-align: left; margin-left: 10px;"> <p><u>HEAD OFFICE:</u> Anton Mill Andover Hampshire SP102NX England Tel: 01264 339090 Fax: 337942</p> </div>	
DRAWING NO: 9230/008	REV: A

LIMIT SWITCH CONNECTIONS - EXTERNAL SX



LIMIT SWITCH CONNECTIONS - INTERNAL SX



HAND	SWITCH 'A'	SWITCH 'B'
LEFT HAND LIFT	UPPER FLOOR LIMIT	LOWER FLOOR LIMIT
RIGHT HAND LIFT	LOWER FLOOR LIMIT	UPPER FLOOR LIMIT

NAME: **M. HOOD** DATE: **24/03/05**
 CHECKED: **R. BAUGH** DATE: **24/03/05**

STAIRISER SX LIMIT SWITCH CONNECTION DETAILS

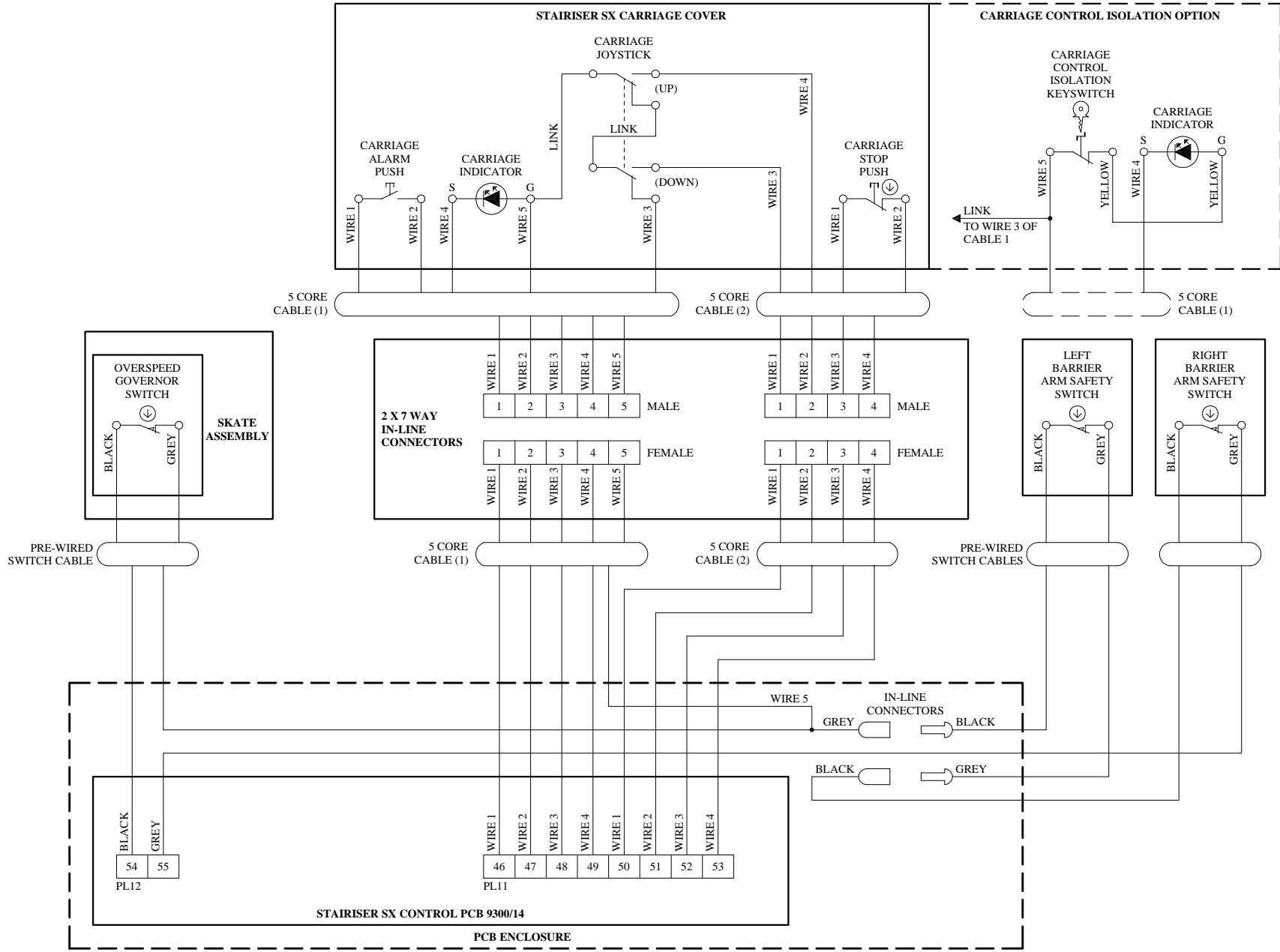



HEAD OFFICE:
Anton Mill
Andover Hampshire
SP102NX England

Tel: 01264 339090 Fax: 337942

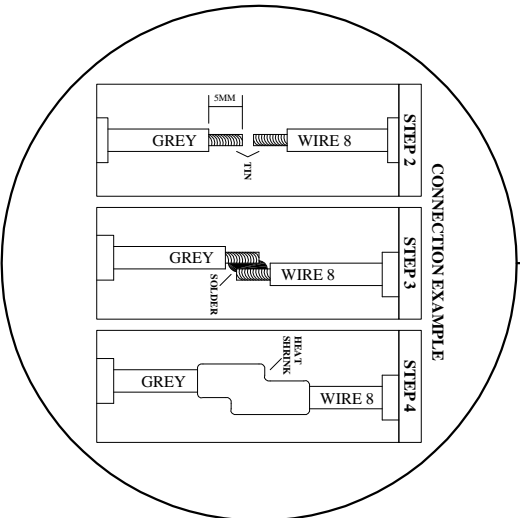
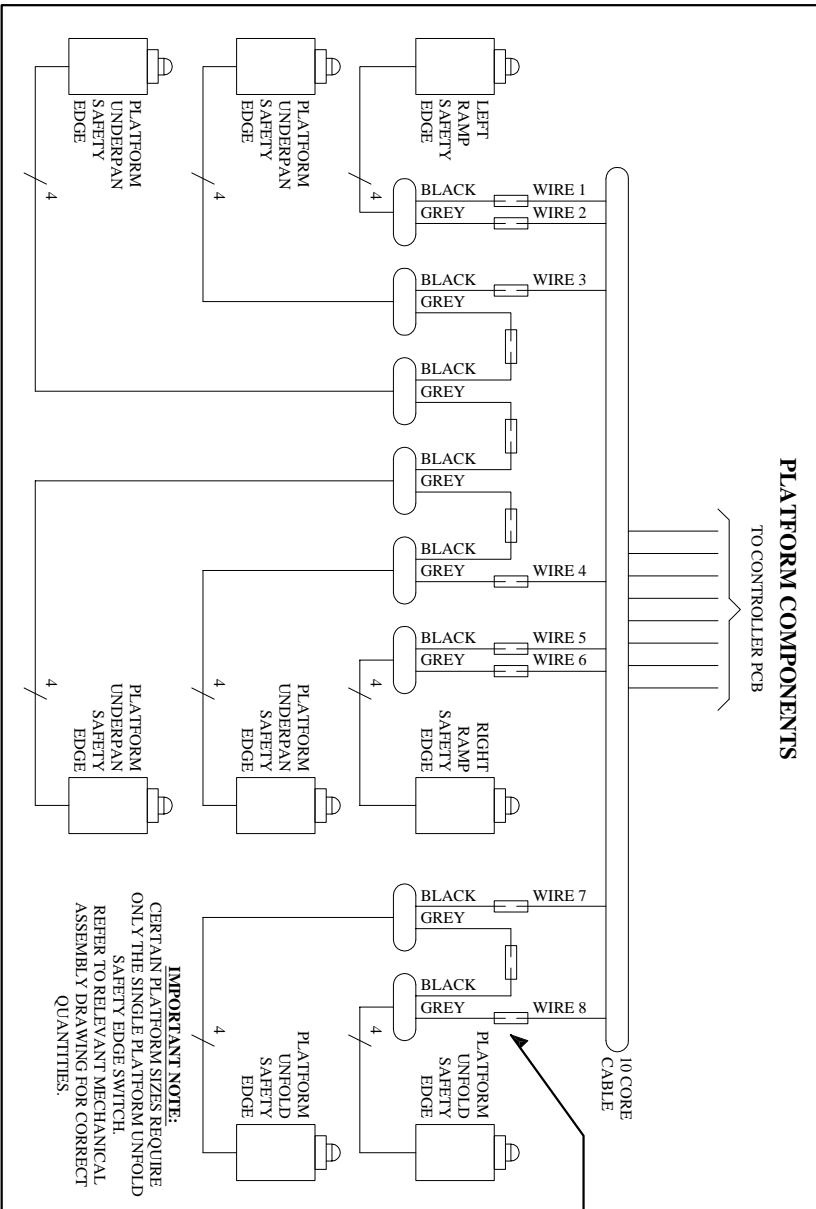
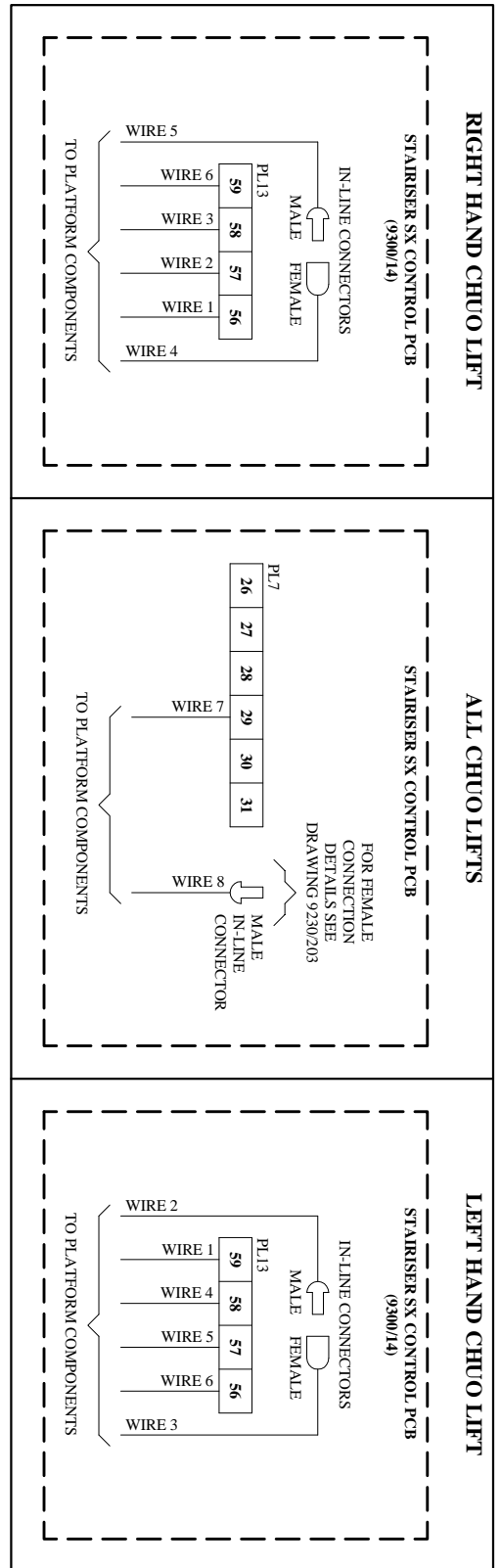
DRAWING NO: **9230/030**

REV:



NAME: M. HOOD	DATE: 14/03/02
CHECKED: R. BAUGH	DATE: 14/03/03
EXTERNAL STAIRISER SX CARRIAGE COVER AND OSG CONNECTION DETAILS	
	
HEAD OFFICE: Anton Mill Andover Hampshire SP102NX England Tel: 01264 339090 Fax: 337942	
DRAWING NO: 9230/103	REV: E

REV E: CONNECTION DETAILS OF CARRIAGE CONTROL ISOLATION SHOWN 31/01/06 MH
 REV D: BARRIER ARM SAFETY SWITCHES CHANGED TO PRE-WIRED SWITCHES 22/11/05 MH
 REV C: OVERSPEED GOVERNOR SWITCH CABLE COLOURS ALTERED 26/08/05 MH
 REV B: CONNECTION DETAILS ALTERED 30/03/05 MH
 REV A: CARRIAGE STOP PUSH CHANGES TO A N/C CONTACT 03/06/03 MH



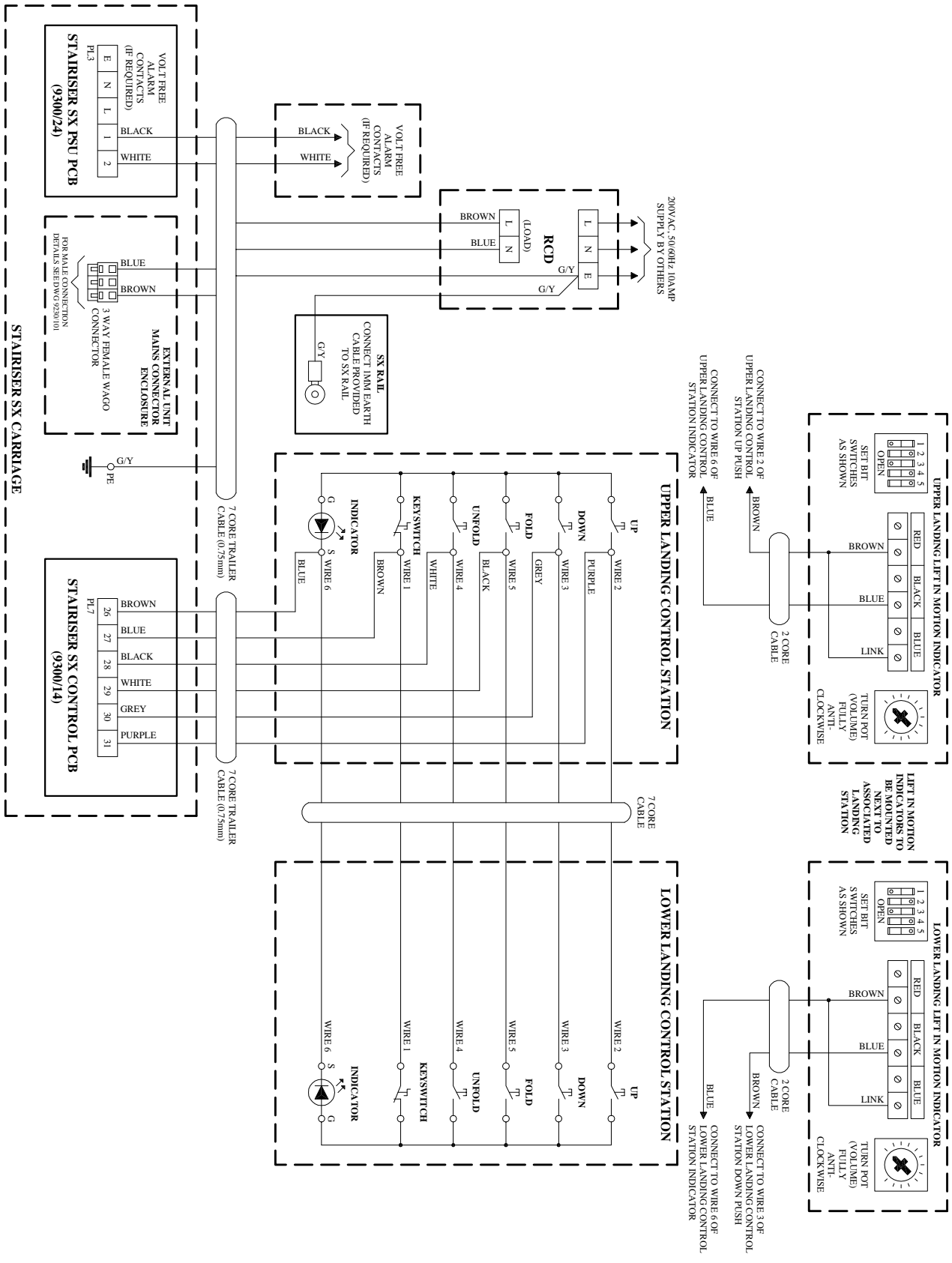
NAME: **M. HOOD** DATE: **17/03/03**
 CHECKED: **R. BAUGH** DATE: **17/03/03**

**CHUO EXTERNAL STAIRISER SX
 PLATFORM SAFETY EDGE
 CONNECTION DETAILS**


Stannah HEAD OFFICE:
 Anton Mill
 Andover Hampshire
 SP102NX England
 Tel: 01264 339090 Fax: 337942

DRAWING NO: **9230/204** REV: **C**

REV C: PRE-WIRED SWITCH CONNECTION DETAIL ADDED 27/06/06 MH
 REV B: 7 AND 2 CORE CABLES REPLACED WITH SINGLE 10 CORE CABLE 04/05/06 MH
 REV A: PL13 TERMINATIONS ALTERED 05/09/05 MH



- REV D: 7 CORE CABLE CHANGED FROM 0.5mm TO 0.75mm 28/06/06 MH
- REV C: TRAILER CABLE CHANGED - ORANGE REPLACED WITH PURPLE 02/03/06 MH
- REV B: TRAILER CABLE CHANGED FROM NUMBERED TO COLOURED 06/01/06 MH
- REV A: TRAILER CABLE DETAILS ALTERED 29/06/04 MH

NAME: M. HOOD	DATE: 17/03/03
CHECKED: R. BAUGH	DATE: 17/03/03
CHUO EXTERNAL STAIRISER SX LANDING STATION & MAINS SUPPLY CONNECTION DETAILS	
	HEAD OFFICE: Anton Mill Andover Hampshire SP102NX England Tel: 01264 339090 Fax: 337942
DRAWING NO: 9230/205	REV: D