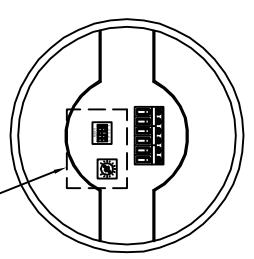
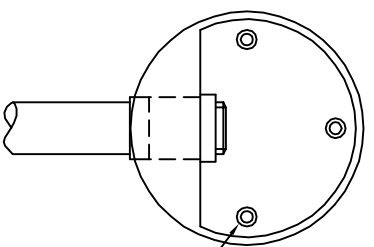


Assembly



View on B-B

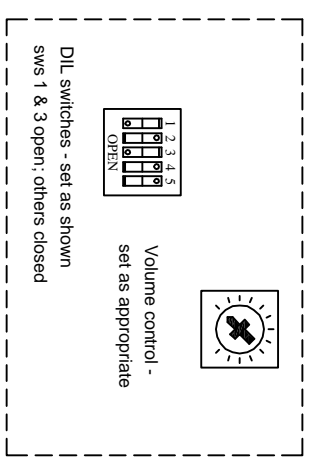


View on A-A

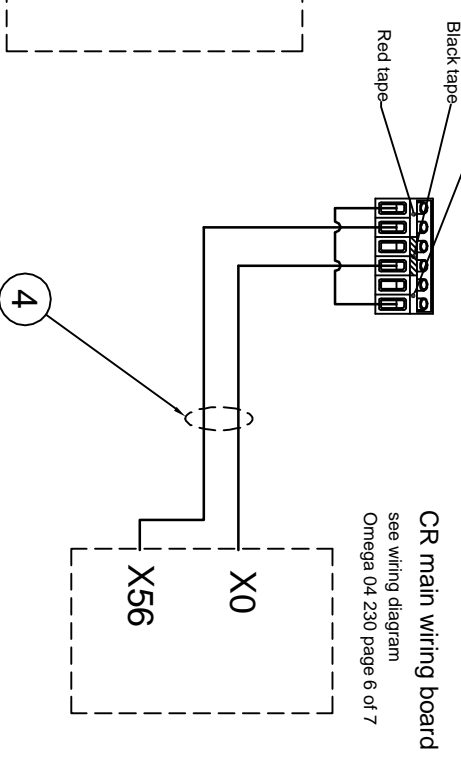
Items list

ref	description	part no.	qty	unit
1	beacon	903030	1	ea
2	raw/plug, red	501315	10	ea
3	screw, No.8 x 1.1/4"	500886	10	ea
4	cabl 2 core 0.5mm ²	910044	4	m
5	conduit coupler (male)	700051	2	ea
6	conduit bend	700044	2	ea
7	conduit 20mm	700040	3	m
8	conduit saddle clamp	700048	7	ea

Detail



Connections



CR main wiring board
see wiring diagram
Omega 04 230 page 6 of 7

Notes

1. Depending on application, additional conduit parts may be required to connect beacon(s) to lift wiring. Quantities stated are for typ. application.
2. Quantity on items list is per beacon unit; it is recommended that 2 beacons are used per lift; connect second beacon in parallel to first.

SCALE NTS

REV.	CD	DATE	09.03.04	REVISION	Rectifier removed as not needed
DWT TITLE		A - V beacon assy, Stairiser CR			
MATERIAL:		FINISH:			
DRAWN BY: CRD		DATE: 24.11.03			
CHECKED BY: -		DRAWING NUMBER: 232000-11			
REV.:		A			

HEAD OFFICE
Stannah Lifts
Hemel Hempstead, SP0 2NK, England
Tel: 01294 333000 Fax: 01294 333003
E-mail: sales@stannah.co.uk