

**Waiver:**

This data sheet is for guidance only and must not be used for proper working drawings. Please contact Stannah Lifts for particular details before proceeding. Owing to our policy of continual improvement we reserve the right to alter specifications and dimensions without prior notice.

*For guidance only*

# MIDLIFT PX

## Wheelchair Turning Space in Front of Lift Door



### Wheelchair Turning Space in Front of Lift Door

In order for the lift to be fully accessible to all users it is vital that a clear turning space is provided in the lobby outside the lift doors. The space should be 1500mm x 1500mm or 1500mm diameter. Where it is possible to provide more space this should be done.

Where local regulations prescribe a space smaller than that defined above, every effort should be made to meet the above minimum where practicable. When local regulations prescribe a greater dimension the local regulation should be followed.

See figure 1 below.

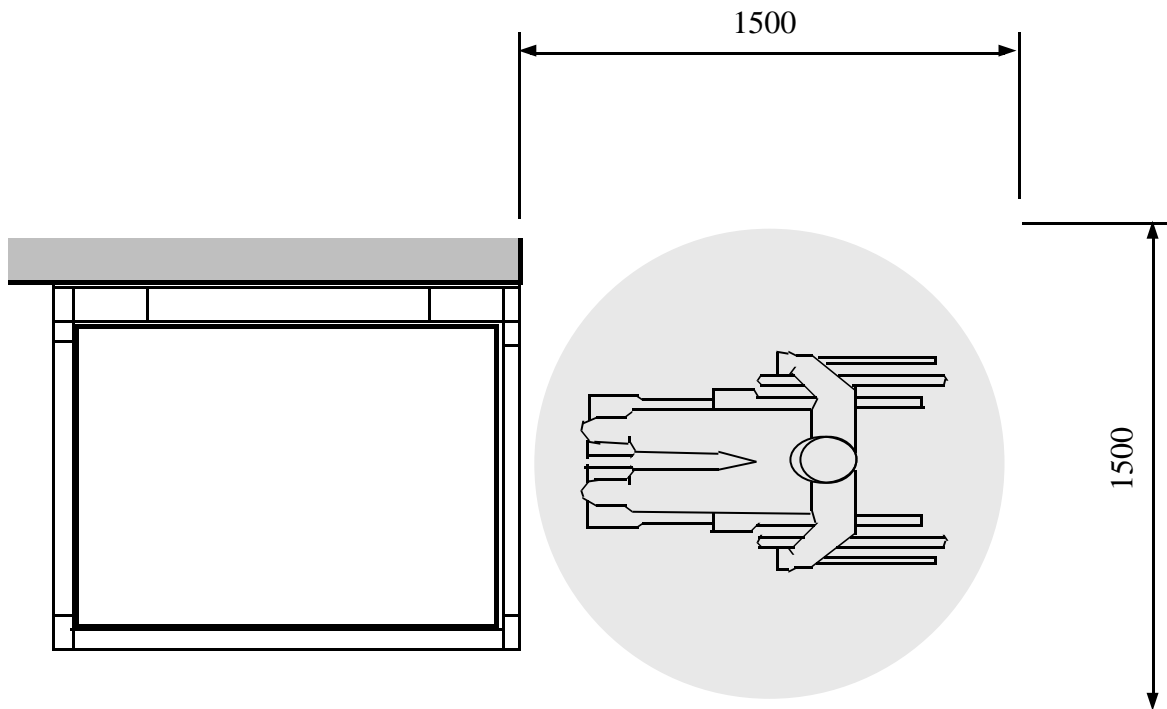


Figure 1 - Space for turning in front of door

**INFORMATION  
SHEET  
AVL-483  
02.04.02**