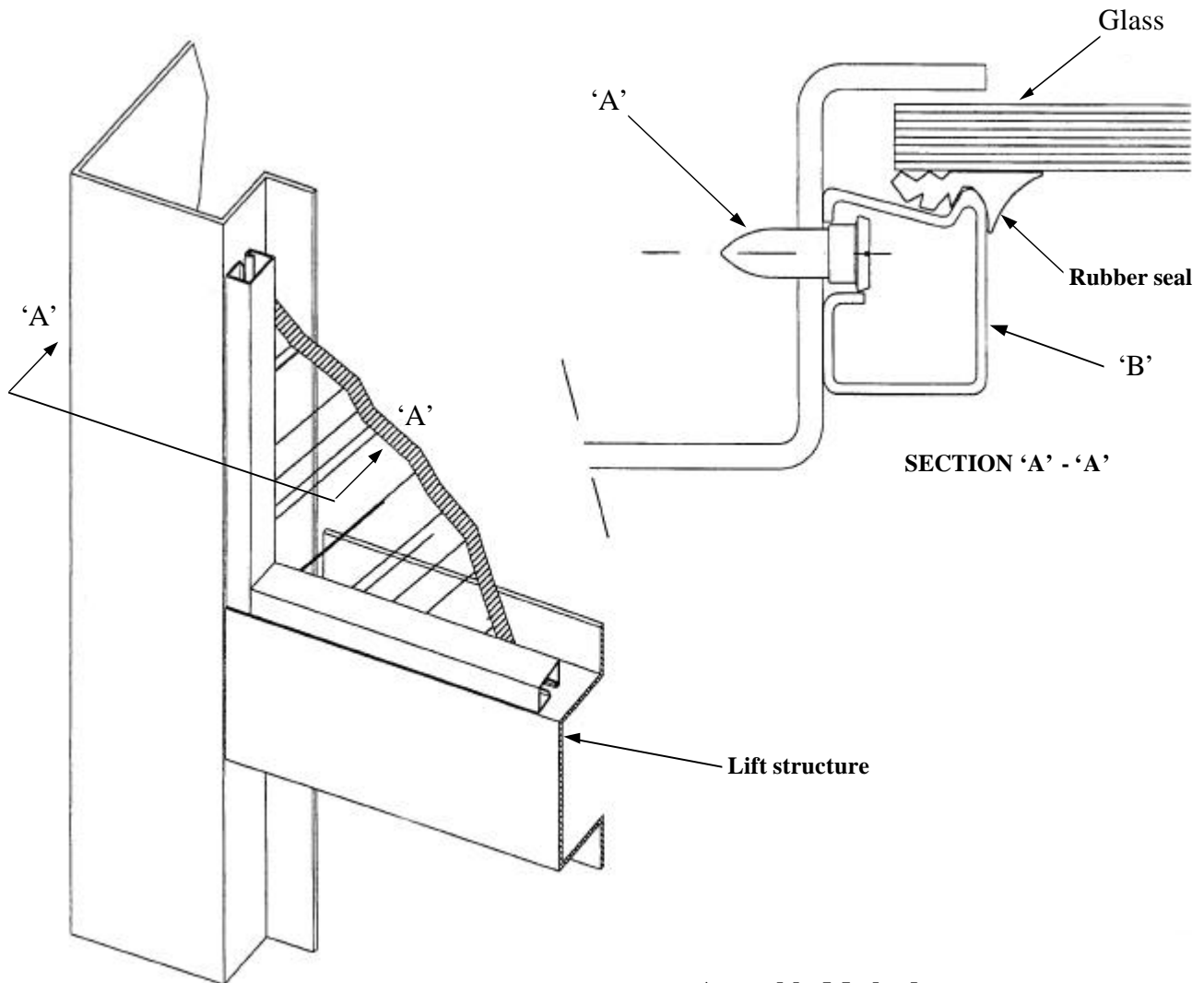


Waiver:

This data sheet is for guidance only and must not be used for proper working drawings. Please contact Stannah Lifts for particular details before proceeding. Owing to our policy of continual improvement we reserve the right to alter specifications and dimensions without prior notice.

For guidance only
MIDLIFT DL

Wheelchair
Vertical Lifting Platform
Method of Fixing Glass Cladding Panels



Assembly Method:

1. Drill and fix special fixings 'A' along edges of structure.
2. Position glass in opening.
3. Snap in bead 'B' over screws 'A'.

**INFORMATION
SHEET
No. AVL 740
17.09.02**