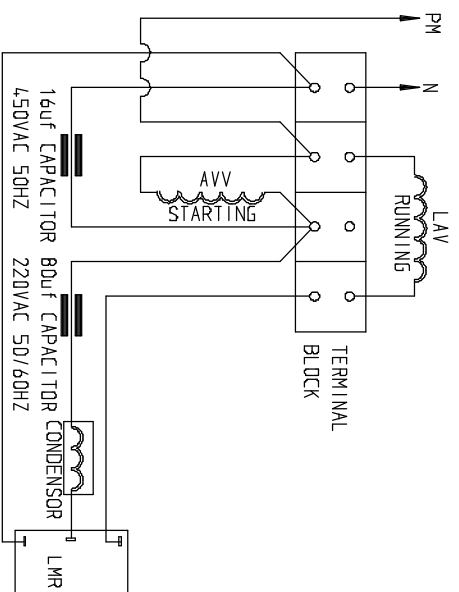
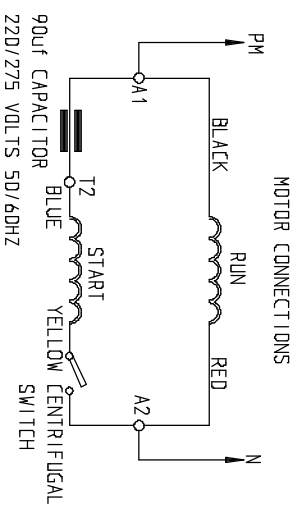


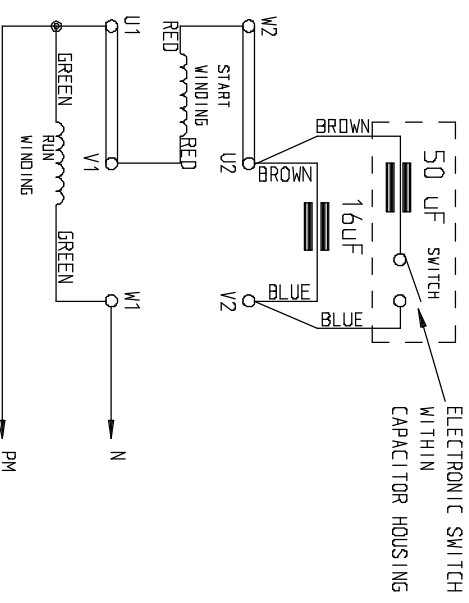
ALL LIFTS MANUFACTURED PRIOR TO MARCH 1997
MOTOR CONNECTIONS



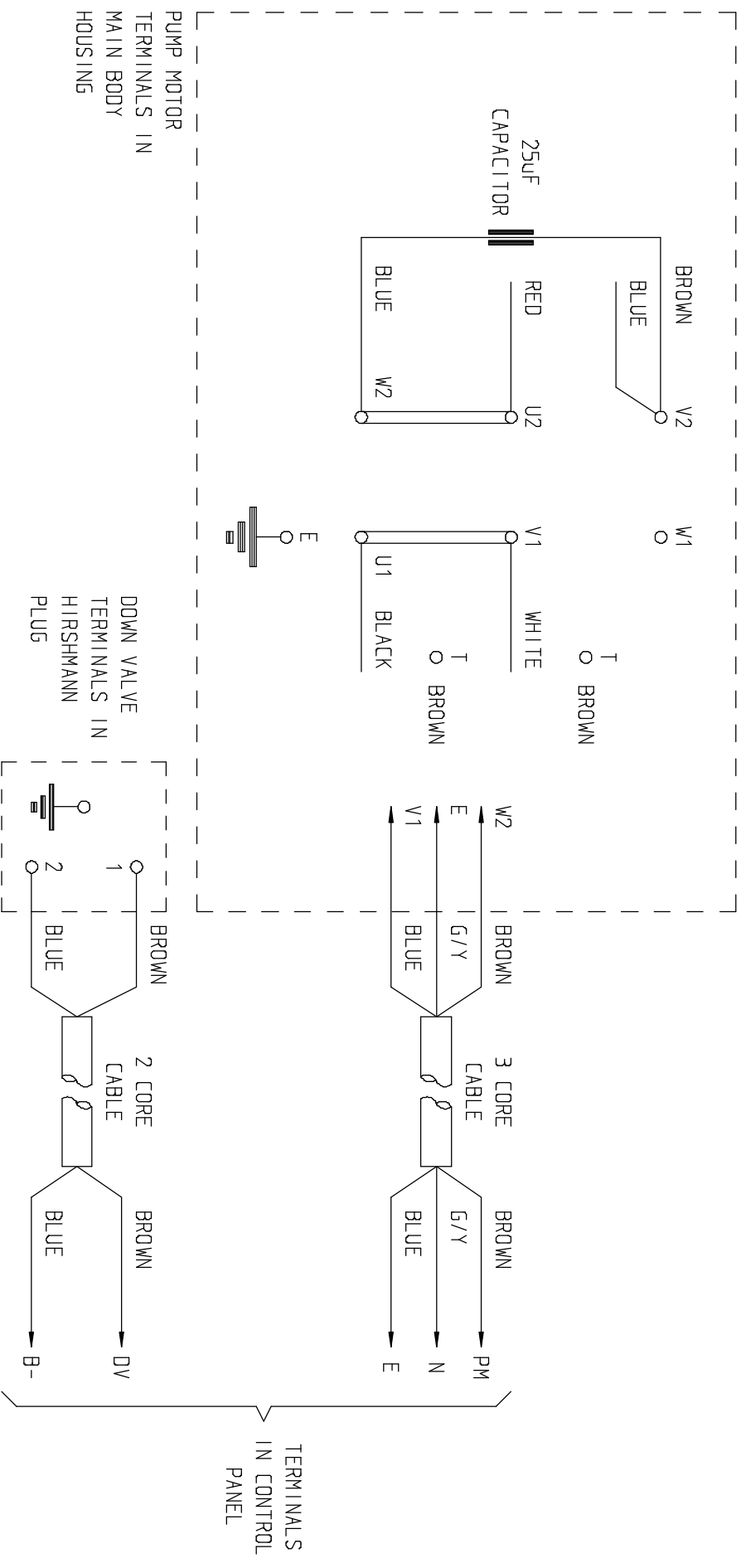
ALL LIFTS MANUFACTURED AFTER BEGINNING
MARCH 1997 UNTIL 17/4/98



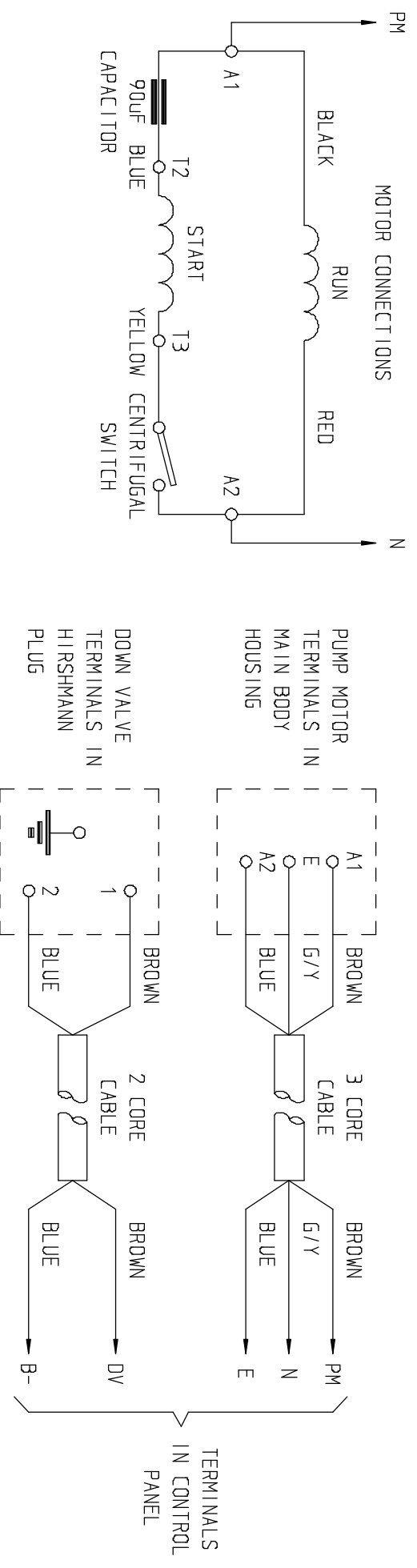
ALL LIFTS MANUFACTURED FROM 20/4/98



1GV MOTOR (SCREW PUMP)



BROOK CROMPTON MOTOR (GEAR PUMP)



REV A : PUMP MOTOR CHANGED 19/10/98 DC
REV B : CONNECTION DETAILS OF 1GV MOTOR ADDED 07/08/01 MH

DRAWN: M. HODD
CHECKED: D. CLARK
DATE: 07/08/01
DATE: 07/08/01

WIRING AND TECHNICAL DETAILS
FOR HOMELIFT PUMP MOTORS



HEAD OFFICE:
ANTON HILL
ANDOVER, HAMPSHIRE
SP10 2NE, ENGLAND
TEL: 01264 339090 FAX: 337942

DRAWING NO: 9228/31 REV: B