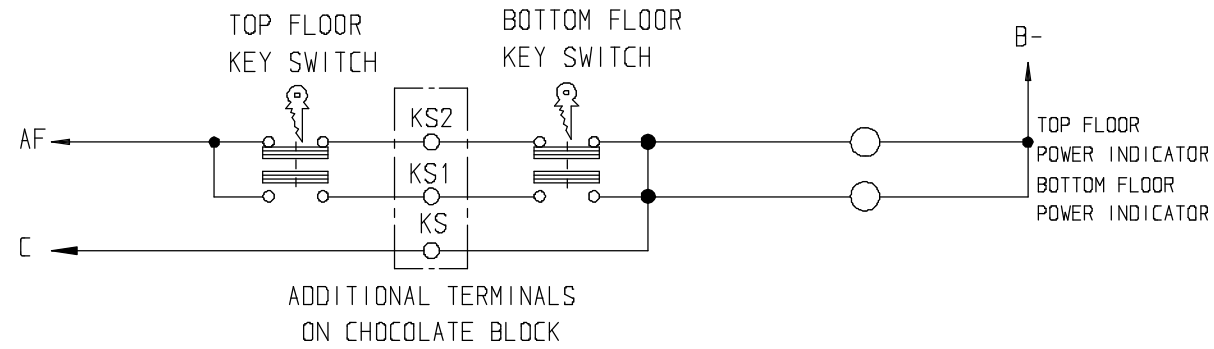
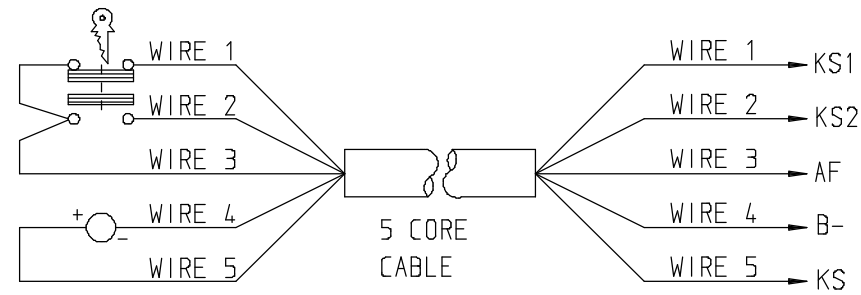


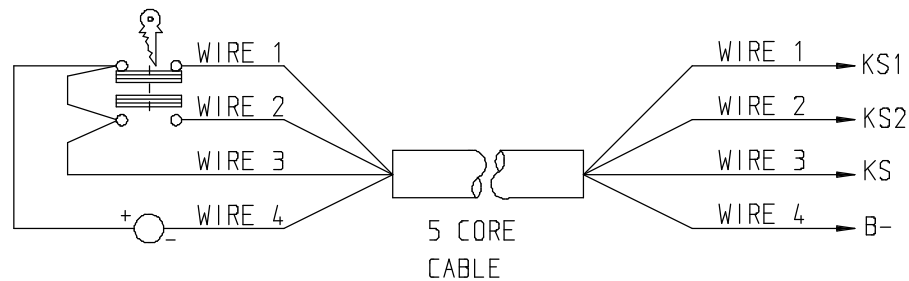
KEYSWITCH ISOLATION ON TOP AND BOTTOM FLOOR



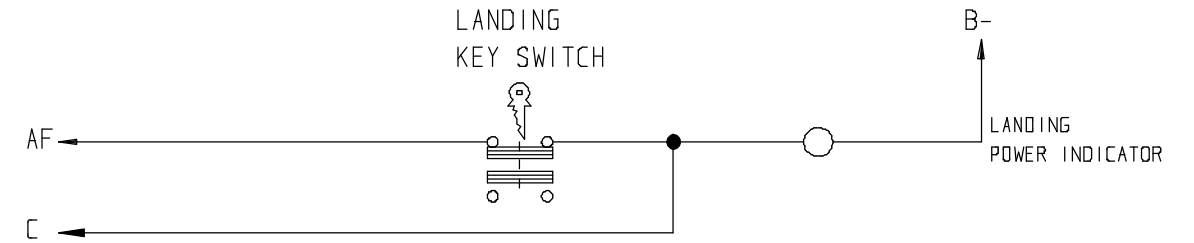
TOP FLOOR ISOLATION
KEYSWITCH AND POWER
INDICATOR



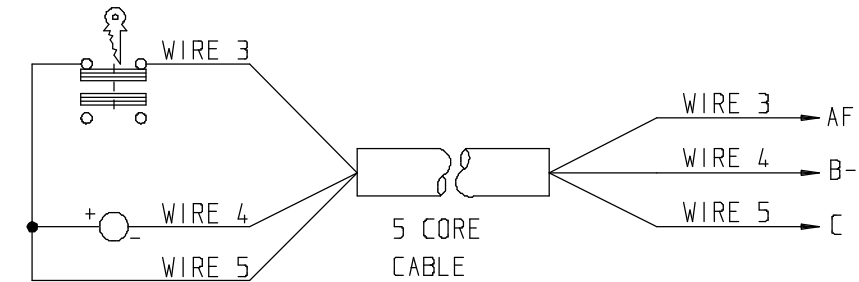
BOTTOM FLOOR ISOLATION
KEYSWITCH AND POWER
INDICATOR



KEYSWITCH ISOLATION ON SINGLE FLOOR



LANDING ISOLATION
KEYSWITCH AND POWER
INDICATOR




IMPORTANT

TINNED CONNECTOR ON
INDICATOR DENOTES NEGATIVE (-)

SOFTWARE HL V1.20
MUST BE USED

REV A: SINGLE FLOOR ISOLATION OPTION ADDED 24/9/97 AMH
REV B:KEYSWITCH CIRCUITS UPDATED FOR MICROCONTROLLER DC 1/11/99
REV C: TERMINATION DETAILS OF SINGLE FLOOR ISOLATION CHANGED 08/08/01 MH CKD DC

DRAWN: A. HULME	DATE: 1/7/97
HOMELIFT LANDING ISOLATION KEY SWITCH AND INDICATOR WIRING	
	
HEAD OFFICE: Anton Mill Andover Hampshire SP10 2NX England Tel: 01264 339090 Fax: 337942	
DRAWING NO:	9228/23 C