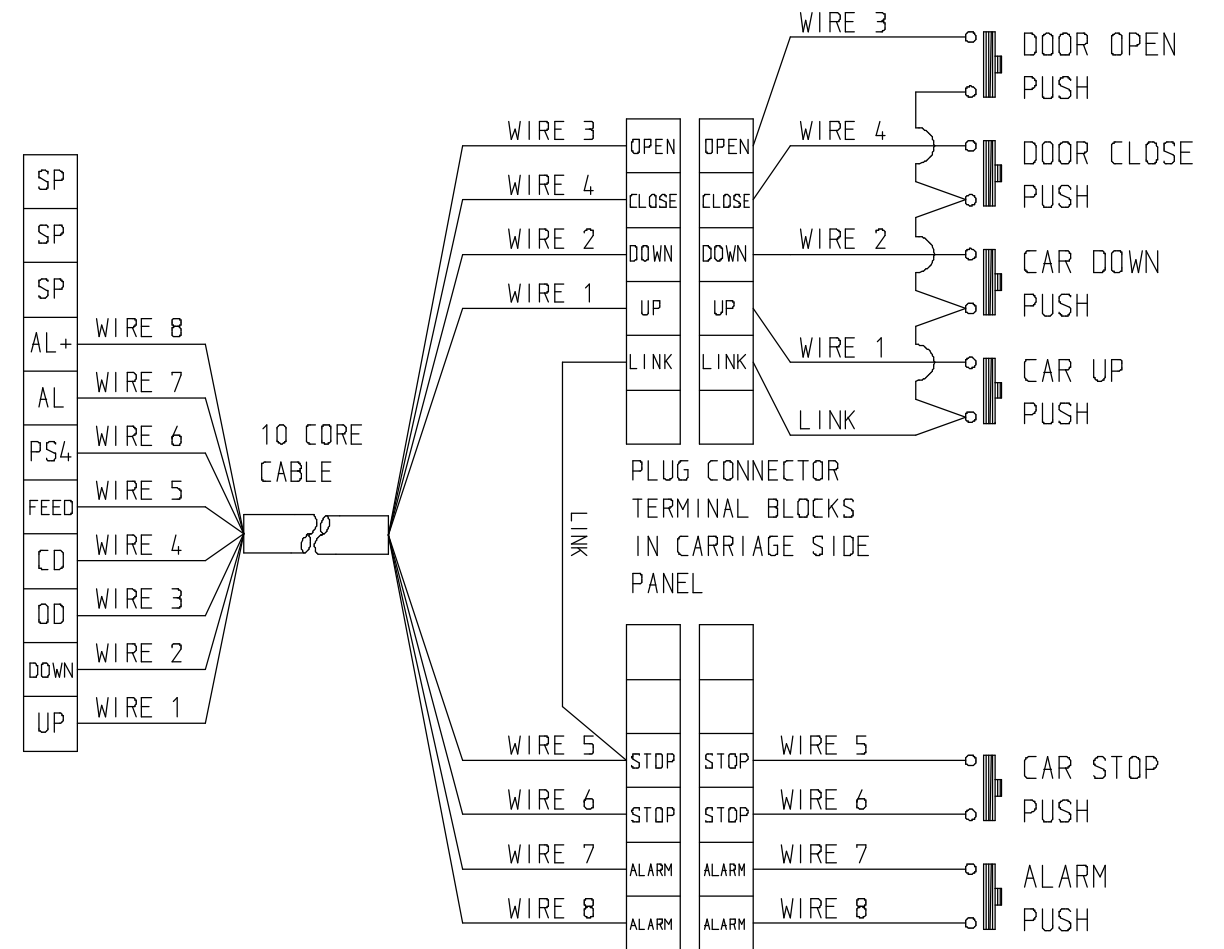


TO PLUG CONNECTOR  
 ON BACKPLATE  
 IN CARRIAGE  
 FOR BACKPLATE  
 CONNECTIONS  
 SEE DRAWING  
 9228/14



REV C: LINK FROM STOP PUSH UP PUSH ROUTED THROUGH PLUG-IN BLOCK 26/5/00 DC  
 REV B: UPDATED TO SUIT PCB CONTROLLER 16/11/99 DC  
 REV A: UPDATED FOR WIRING LOOMS 29/4/98 DC

DRAWN: D. CLARK DATE: 3/12/96  
 HOMELIFT WIRING FOR CARRIAGE PUSHES  
 FOR DUAL CARRIAGE CONTROLS



HEAD OFFICE  
 Anton Mill Anton Mill Rd Andover  
 Hampshire SP10 2NX England  
 Tel: 01264 339090 Fax: 01264 337942

DRAWING NO: 9228/15 C